

27W48



UPC Code: 07847796775

Country of Origin: United States - **Eligible for ARRA funded projects*

NEMA: L6-20R



**May include one or more globally sourced components.*



Locking Wiring Devices

Brand Features

Leviton's Wetguard products are the most versatile and well-engineered watertight devices on the market. They meet IP67 and NEMA ratings for water ingress protection, and offer many significant advantages over competitive brands.

Item Description

20 Amp, 250 Volt, NEMA L6-20R, 2P, 3W, Locking Connector, Industrial Grade, Grounding, Wetguard - YELLOW

Technical Information

Electrical Specifications

Grounding: Grounding

Amperage: 20 Amp

Voltage: 250 Volt

Pole: 2

Wire: 3

Dielectric Voltage: Withstands 2000V per UL498

Current Limiting: Full Rated Current

Temperature Rise: Max 30C after 250 cycles OL at 200 percent rated current

Environmental Specifications

Flammability: Rated V-2 per UL94

Operating Temperature: -40C to 60C

Material Specifications

Body Material: Santoprene TPV

Compression Nut, Strain Relief: Nylon

Body Interior: Nylon

Wire Module: Nylon

Bushing: Santoprene TPV

Blades/Contacts: Electroless Nickel-coated Brass

Terminal Screws: Electroless Nickel-coated Brass

Assembly Screws: Stainless Steel, Non-Magnetic

Mechanical Specifications

Terminal ID: Brass-Hot, Green-Ground, Silver-Neutral

Terminal Accom.: 18-10 AWG

Product ID: Ratings and NEMA I.D. permanently marked on device

Cord Grip Range (in): .375-.875

Product Features

Blades/Contacts: Nickel-Plated Brass

NEMA: L6-20R

Body Material: EPTR Rubber

Assembly Screws: Stainless Steel 300

Standards and Certifications: UL/CSA

Color: Yellow

Standards and Certifications

NEMA: WD-6

ANSI: C-73

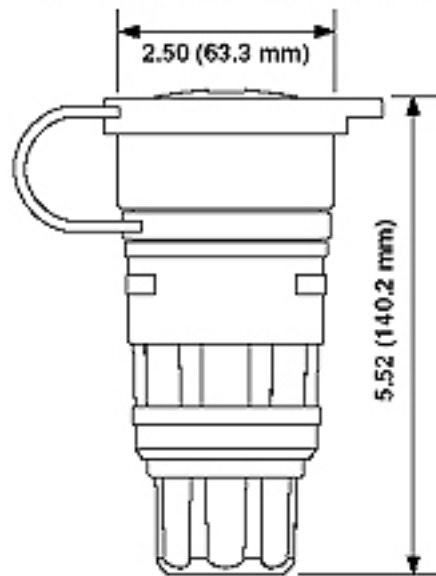
UL: 498

CSA C22.2 No. 42: File LR-406

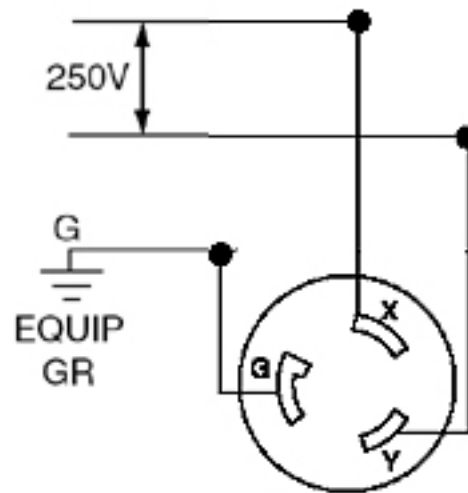
NOM: 057

Warranty: Lifetime Warranty

Dimensional Diagram



Wiring Diagram



L6-20R

SPECIFICATION SUBMITTAL

JOB NAME:	CATALOG NUMBERS:	
<input type="text"/>	<input type="text"/>	<input type="text"/>
JOB NUMBER:	<input type="text"/>	<input type="text"/>

Leviton Manufacturing Co., Inc.

201 North Service Road, Melville, NY 11747

Telephone: 1-800-323-8920 · FAX: 1-800-832-9538 · Tech Line (8:30AM-7:30PM E.S.T. Monday-Friday): 1-800-824-3005

Leviton Manufacturing of Canada, Ltd.

165 Hymus Boulevard, Pointe Claire, Quebec H9R 1E9 · Telephone: 1-800-469-7890 ·

FAX: 1-800-824-3005 · www.leviton.com/canada

Leviton S. de R.L. de C.V.

Lago Tana 43, Mexico DF, Mexico CP 11290 · Tel.: (+52)55-5082-1040 · FAX: (+52)5386-1797 · www.leviton.com.mx

Visit our Website at: www.leviton.com

© 2012-2017 Leviton Manufacturing Co., Inc. All rights reserved. Subject to change without notice.



Leviton has a global presence.

If you would like to know where your local Leviton office is located please go to: www.leviton.com/international/contacts/

**Buy American Compliant Logo -- The American Recovery And Reinvestment Act of 2009 ("ARRA") provides federal grants and loans for projects throughout the country. Section 1605 of the Act, named the "Buy American" provision, requires that certain materials and manufactured products used in projects funded by the Act be manufactured in the United States. The appearance of the Recovery Act Logo in relation to a Leviton product is only intended to reflect that such product may be used in an ARRA funded project. It does not mean that such product or Leviton is sponsored or endorsed by, or that Leviton receives funds from, the federal government or the Recovery Accountability and Transparency Board. Nothing in Leviton's use of the logo is intended to suggest anything regarding the requirements for funding under ARRA.*