

Carlton®

Rigid Non-Metallic Conduit Fittings & Accessories
T&B Catalog Number:

E978FC-CAR

UPC Number:

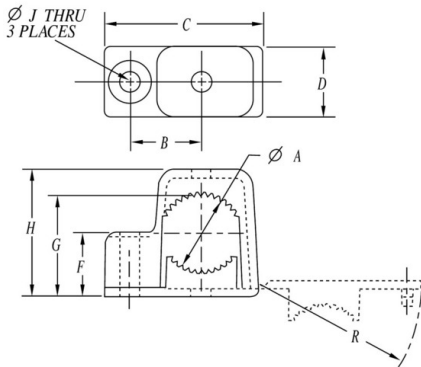
03448113064

Status:

Active

Description:

Conduit Support Strap, Size 1 Inch, Length 2.17 Inches, Width 0.75 Inches, Height 1.84 Inches, Material Polypropylene, Color Gray, Pack of 30



Features

High strength, non-metallic clamp allows conduit to expand and contract freely, eliminating the bowing commonly seen from the expansion and contraction of conduit caused by varying temperature changes. Carlton's Snap Strap offers a unique support strap designed especially for the installation of PVC conduit.

Also usable for installations of rigid steel.

Finished installations have a neat, attractive appearance on exposed applications.

Application

UV inhibited for use in direct sunlight

To be used in accordance with conduit spacing requirements per NEC, Section 352.30.

General

Trade Size (inches)	1
Material	Non-Metallic

Dimension Information

A (mm)	30.5
B (mm)	25.9
C (mm)	55.1
D (mm)	19.1
F (mm)	21.1
A (inches)	1.2
B (inches)	1.02
C (inches)	2.17
D (inches)	0.75
F (inches)	0.83
G (inches)	1.43
H (inches)	1.84
H (mm)	46.7
J (inches)	0.21
R (inches)	2.22
Size (mm)	27

Packaging

T&B Order Multiple	30
Package in Units	30
T&B Sold in UOM	Each
T&B Weight Per UOM	12.5 lbs. per 100

Application Support

T&B Sales Drawings

wsd-ac03044

Specifications & Applications

Available on Website

For further technical assistance, please contact us...

Thomas & Betts - USA
8155 T&B Blvd.
Memphis, TN 38125
www.tnb.com

T&B Technical Support
MS 3B-50
8155 T&B Blvd.
Memphis, TN 38125

Hours: 7AM - 6PM CDT
Monday-Friday
Phone: (888) 862-3289
Fax: (901) 252-1321
Email: techsupport@tnb.com