

5269-CB



Color:  Black

UPC Code: 07847782526

Country Of Origin: United States

* Eligible for ARRA funded projects

NEMA:
5-15R



Made in USA



5269-CB

Brand Features

The Leviton line of Straight Blade Plugs and Connectors includes: Black & White® Industrial Grade devices that resist impact, corrosion and chemicals; Wetguard® for water or moisture resistance; Dustgard® for dust and dirt; Python™, with an innovative interlocking design; rugged nylon flanged and outlets; and integrated inlets and outlets with weather resistant covers.

Item Description

15 Amp, 125 Volt, NEMA 5-15R, 2P, 3W, Connector, Straight Blade, Industrial Grade, Grounding - Black

Technical Information

Electrical Specifications

Dielectric Voltage: Withstands 2000V per UL498

Grounding: Grounding

Temperature Rise: Max 30C after 250 cycles OL at 200 percent rated current

Voltage: 125 Volt

Current Interrupting: Certified for current interrupting at full rated current

Amperage: 15 Amp

Wire: 3

Pole: 2

Environmental Specifications

Operating Temperature: -40C to 60C

Flammability: Rated HB or better UL94

Material Specifications

Body Material: Impact Modified Nylon

Back Cover: Thermoplastic

Terminal Screws: Brass

Wire Module: Nylon

Color: Black

Cord-Clamp: Nylon

Blades/Contacts: Solid Brass

Clamp Insert: Nylon

Assembly Screws: Steel, Zinc Plated

Mechanical Specifications

Product ID: Ratings and NEMA I.D. permanently marked on device

Terminal ID: Brass-Hot, Green-Ground, Silver-Neutral

Terminal Accom.: 18-10 AWG

Cord Range: .245 - .700

Product Features

Color: Black

NEMA: 5-15R

Standards and Certifications

UL 498: File E13399

Warranty: Lifetime Warranty

CSA C22.2 No. 42: File LR-406

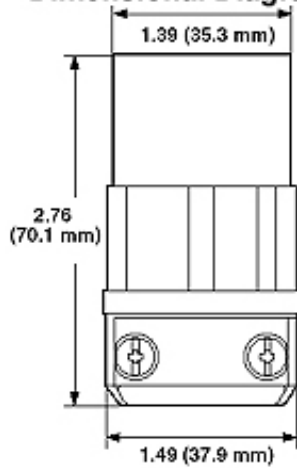
UL Fed Spec WC-596: File E13393

ANSI: C-73

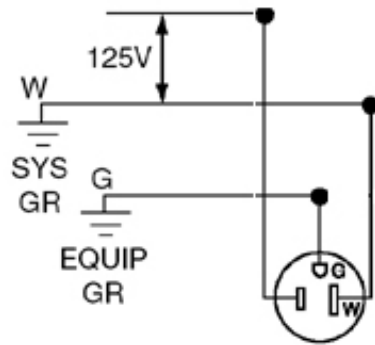
NOM: 057

NEMA: WD-6

Dimensional Diagram



Wiring Diagram



5-15R

SPECIFICATION SUBMITTAL

JOB NAME:	CATALOG NUMBERS:	
<input type="text"/>	<input type="text"/>	<input type="text"/>
JOB NUMBER:	<input type="text"/>	<input type="text"/>

Leviton Manufacturing Co., Inc.

201 North Service Road, Melville, NY 11747

Teléfono: +1-800-323-8920 · FAX: +1-800-832-9538 · Tech Line (8:30AM-7:30PM E.S.T. Monday-Friday): +1-800-824-3005

Leviton Manufacturing of Canada, Ltd.

165 Hymus Boulevard, Pointe Claire, Quebec H9R 1E9 · Telephone: +1-800-469-7890 ·

FAX: +1-800-824-3005 · www.leviton.com/canada

Leviton S. de R.L. de C.V.

Lago Tana 43, Mexico DF, Mexico CP 11290 · Tel.: (+52)55-5082-1040 · FAX: (+52)5386-

1797 · www.leviton.com.mx

Visit our Website at: www.leviton.com

© 2012 Leviton Manufacturing Co., Inc. Todos los derechos reservados. Subject to change without notice.

Leviton has a global presence.

If you would like to know where your local Leviton office is located please go to:

www.leviton.com/international/contacts/



**Leviton is the smart choice, providing the most comprehensive range of solutions to meet the needs of today's residential, commercial and industrial buildings. Leveraging more than a century of experience, Leviton helps customers create sustainable, intelligent environments through its electrical wiring devices, network and data center connectivity solutions, and lighting energy management systems. From switches and receptacles, to daylight harvesting controls, networking systems, and equipment for charging electric vehicles, Leviton solutions help customers achieve savings in energy, time and cost, all while enhancing safety.*