



PAR20 Dimmable LED Lamps with AirFlux Technology

8PAR20/END/F25 3000 DIM 6/1

Philips PAR20 Dimmable LED Lamps with AirFlux Technology provide optimal thermal efficiency in a sleek, lightweight design.

Product data

• General Characteristics

Cap-Base	E26
Bulb	PAR20 [PAR20 mm]
Rated Avg. Life (Hours)	45000 hr
Rated Lifetime (years)	41.1 an

• Light Technical Characteristics

Color Code	WH
Color Designation	White
Beam Angle	25 D
Beam Description	25D [Medium beam]
Correlated Color Temperature	3000 K
CRI	85
Color Temp. (Kelvin)	3000 K [CCT 3000K]
Rated Luminous Flux	470 Lm

• Electrical Characteristics

Wattage	8 W
Wattage Technical	8 W
Voltage	120 V
Line Frequency	60 Hz
Power Factor	0.9 -
Lamp Current mA	78 mA

Dimmable	Yes
Wattage Equivalent	50 W

• Measuring Conditions

Switching cycle	20000x
-----------------	--------

• Product Dimensions

Overall Length C	81 mm
Overall Length C [inch]	3.189 (max) in
Diameter D	63 mm

• Product Data

Product number	426130
Full product name	8PAR20/END/F25 3000 DIM 6/1
Short product name	120V END PAR20 8W 25D 3000K DIM SM
Pieces per Sku	1
eop_pck_cfg	6
Skus/Case	6
Bar code on pack	46677426132
Bar code on case	50046677426137
Logistics code(s)	929000233101
eop_net_weight_pp	0.117 kg

Warnings and Safety

- Suitable for use in damp locations.

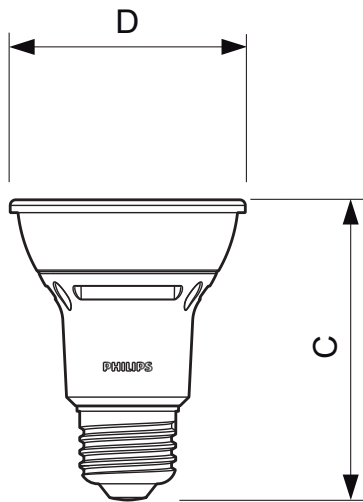
- Not for use in totally enclosed luminaires.
- Before replacing, turn off power and let lamp cool to avoid electrical shock or burn.



PHILIPS

PAR20 Dimmable LED Lamps with AirFlux Technology

Dimensional drawing



E26

8PAR20/END/F25 3000 DIM 6/1

Product	C (Norm)	C1 (Max)	D (Norm)	D1 (Norm)
LED 8W E26 3000K 120V PAR20 25D	81	3.189	63	2.48



© 2013 Koninklijke Philips N.V. (Royal Philips)
All rights reserved.

Specifications are subject to change without notice. Trademarks are the property of Koninklijke Philips N.V. (Royal Philips) or their respective owners.

www.philips.com/lighting

2013, June 21
data subject to change