

20W DIMMABLE MAGNETIC DRIVER

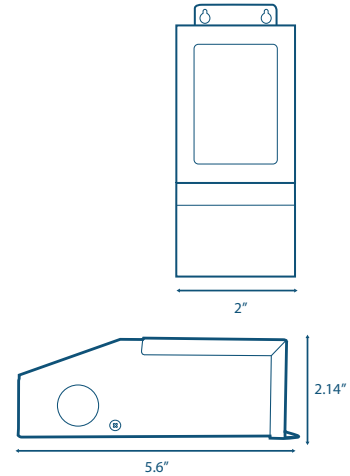
INDOOR & OUTDOOR DIMMABLE MAGNETIC CLASS 2 LED DRIVER
PART # DR-20W-24VDC-DIM

LEDI

Specification Sheet

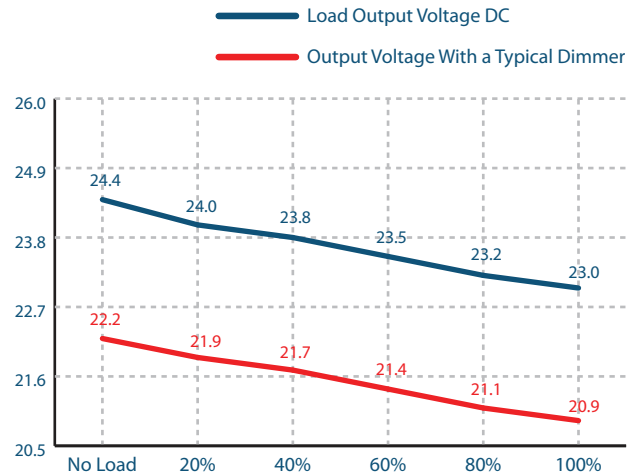


The 20W Dimmable Magnetic Driver is the most compact LED driver on the market with a magnetic transformer core. It is equipped with two auto-reset breakers, one on the input and one on the output, which protect both the load and driver. The driver is encased in a coated metal box that includes 2 knock-outs, one on each side, to enable easy installation that complies with electrical code requirements.



Specifications

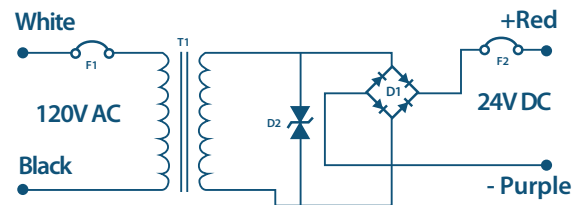
Input Voltage	120V AC
Output Voltage	24V DC
Max Load	20W
Recommended Min. Load	14W
Absolute Min. Load	10W
Max Operating Temp. *	160°F
Avg. Efficiency	76%
Dimming	MLV**
Input Current Full Load	270 mA
Output Voltage Full Load	21.89V DC
Max Output Current Full Load	0.97 A
Open Circuit Output Voltage	23.2V DC
Circuit Breaker	Primary and Secondary Auto Reset
Dimensions LxWxH	5-5/8" x 2" x 2-3/16"
Weight	35 Oz.
Ratings	Class 2 and NEMA-3R
Certifications	



*When installed with proper ventilation. ** See our Dimmer Compatibility List

FEATURES:

- ✓ Dimmable with most quality Magnetic Low-Voltage dimmers
- ✓ Dual protection-primary and secondary auto-reset circuit breakers
- ✓ Nema 3R Enclosed-Outdoor Use
- ✓ Two knock-outs one on each side
- ✓ Class 2
- ✓ ETL Listed
- ✓ CSA Listed



11744 Grant Road, Cypress, TX 77429

www.Ledi.Lighting

Phone: 832.717.2710 Fax: 866.523.0169