

IEC Pin and Sleeve

Accessories

Back Box

HUBBELL



Ordering Information

Description 15° angle non-metallic Back Box, 16, 20, 30, 32A IEC Pin & Sleeve, 1" Hub	UPC 783585390871	Catalog Number BB2030N
---	----------------------------	---

Color
Gray

Standards

UL Raintight and External Icing Test
CSA Certified

Specifications

Accessory Item	Non-Metallic Back Box
Box Hub Size	1" NPT
Angle	15 Degree Angle
IEC Pin & Sleeve Accessory Type	16, 20, 30 and 32A

Performance

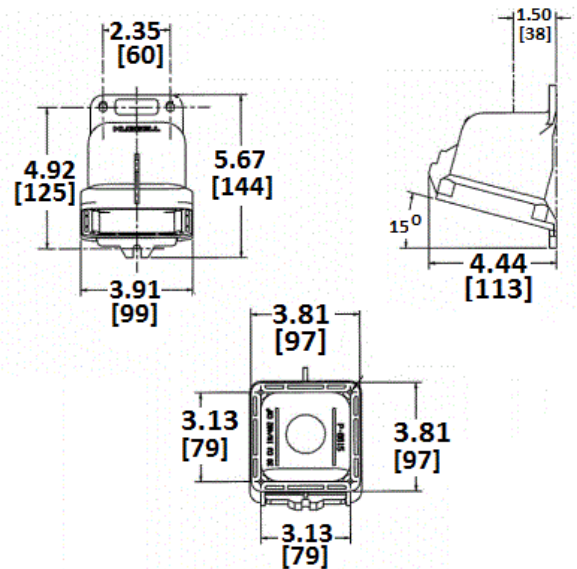
Environmental	
Moisture Resistance	IP67 Suitability

Accessories

Receptacle/Inlet Accommodation	16A 20A 30A & 32A IEC Pin & Sleeve
--------------------------------	---

Online Resources

Customer Use Drawing
eCatalog
Installation Instructions



Dimensions in Inches (mm)

Hubbell Wiring Device-Kellems • Hubbell Incorporated (Delaware) • 40 Waterview Drive • Shelton, CT 06484

Phone (800) 288-6000 • Fax (800) 255-1031 • Specifications subject to change without notice.

