

Twist-Lock® Devices 20A, 125V AC; 2 Pole, 3 Wire Grounding Insulgrip® Connector

HUBBELL



Features

- UL Type 4X Environmental seal protects connection while in use.
- One-piece, engineered thermoplastic housing is impact-resistant for heavy-duty industrial environments
- Closure cap is included for environmental seal when device is not in use
- Superior cord grip design protects terminations from excess strain.



Ordering Information

Description	Cord Diameter	UPC	Catalog Number
Black PBT housing, white PBT clamps.	.360"-.930"(9-24)	783585231044	HBL2313SW

Listings

Listed to UL 498
Fed.Spec. W-C-596
Certified to CSA C22.2 No.42
UL Listed, CSA Certified to Type 4, 4X and Type 12

Specifications

Housing / Cord Clamp	PBT
Terminal Retainer	Clear polycarbonate
Contacts	Brass
Terminal Screws	#10-32 Brass (Phillips / Slotted / Robertson)
Terminal Clamp	Cold rolled steel – nickel plated
Assembly Screws	Stainless Steel
Watertight Gland	Neoprene
Closure Plug	Santoprene

Performance

Electrical

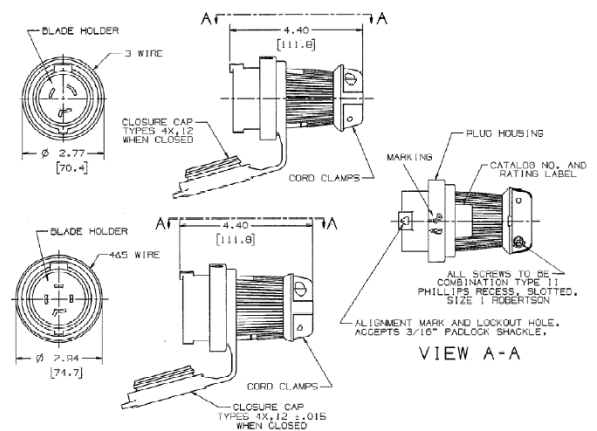
Current Interrupting Certified for current interrupting at full rated current
Dielectric Voltage Withstands 2,000V minimum

Mechanical

Terminal Accommodation #16 AWG - #8 AWG stranded copper wire only.
Terminal Identification Terminals identified in accordance with UL 498

Environmental

Flammability V0 per UL94 or CSA 22.2 No.0.17
Moisture Resistance Type 4, 4X, 12, IP66 suitability
Operating Temperatures Maximum Continuous 75°C Minimum -40°C (w/o impact)



Accessories

Watertight Safety Shroud Plug	HBL2311SW
Watertight Safety Shroud Flanged Inlet	HBL2315SW

Resources

Customer Use Drawing
eCatalog

Dimensions in Inches (mm)

Hubbell Wiring Device-Kellems • Hubbell Incorporated (Delaware) • 40 Waterview Drive • Shelton, CT 06484

Phone (800) 288-6000 • Fax (800) 255-1031 • Specifications subject to change without notice.

