

41641-E



UPC Code: 07847740768

Country of Origin: Mexico - **Eligible for
ARRA funded projects > \$7,443,000*



Wallplates and Housings

Brand Features

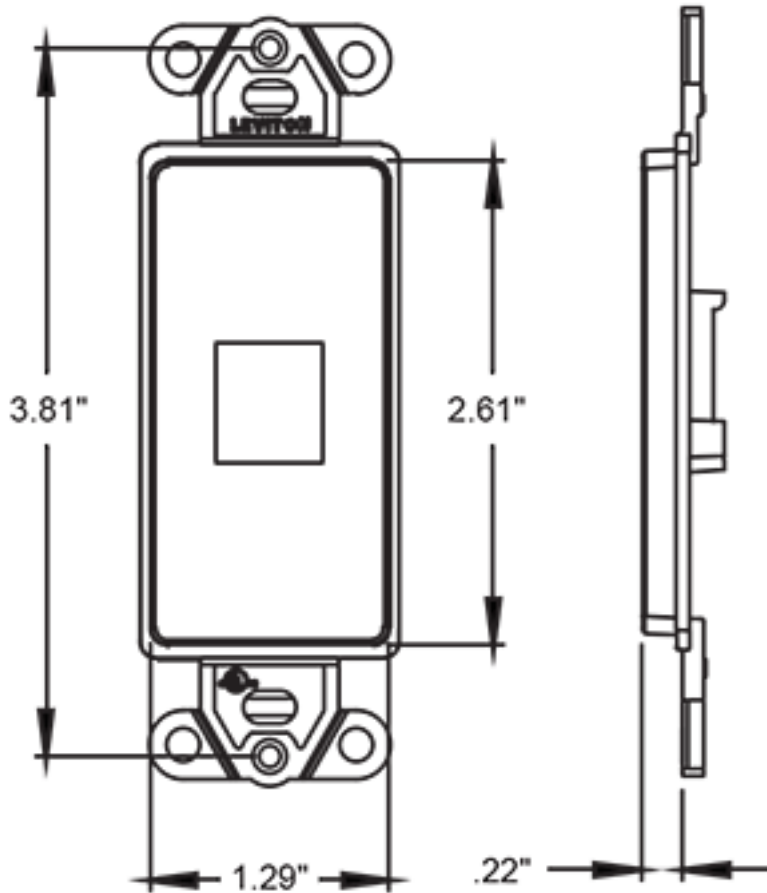
Decora inserts accept all QuickPort snap-in modules, and are used to support voice, data, audio, and video applications in NEMA openings where a Decora-brand look is desired. Available in white, light almond, ivory, grey, black, and brown.

Item Description

QuickPort Decora Insert, 1-Port, Black

Features and Benefits

- Mounts flush with Decora wallplate
- True Decora-brand design matches Leviton Decora rocker switches and electrical products
- Fits within minimum NEMA openings
- High port density options
- Inserts accept all QuickPort connectors
- Not compatible with Decora Plus Wallplates when used with low-voltage box eliminators



1-Port Insert

SPECIFICATION SUBMITTAL

JOB NAME:		CATALOG NUMBERS:	
<input type="text"/>		<input type="text"/>	<input type="text"/>
JOB NUMBER:			
<input type="text"/>			

Leviton Manufacturing Co., Inc.
 201 North Service Road, Melville, NY 11747
 Telephone: 1-800-323-8920 · FAX: 1-800-832-9538 · Tech Line (8:30AM-7:30PM E.S.T. Monday-Friday): 1-800-824-3005

Leviton Manufacturing of Canada, Ltd.
 165 Hymus Boulevard, Pointe Claire, Quebec H9R 1E9 · Telephone: 1-800-469-7890 ·
 FAX: 1-800-824-3005 · www.leviton.com/canada

Leviton S. de R.L. de C.V.
 Lago Tana 43, Mexico DF, Mexico CP 11290 · Tel.: (+52)55-5082-1040 · FAX: (+52)5386-1797 · www.leviton.com.mx

Visit our Website at: www.leviton.com
 © 2012-2017 Leviton Manufacturing Co., Inc. All rights reserved. Subject to change without notice.



Leviton has a global presence.
 If you would like to know where your local Leviton office is located please go to: www.leviton.com/international/contacts/

**Buy American Compliant Logo -- The American Recovery And Reinvestment Act of 2009 ("ARRA") provides federal grants and loans for projects throughout the country. Section 1605 of the Act, named the "Buy American" provision, requires that certain materials and manufactured products used in projects funded by the Act be manufactured in the United States. The appearance of the Recovery Act Logo in relation to a Leviton product is only intended to reflect that such product may be used in an ARRA funded project. It does not mean that such product or Leviton is sponsored or endorsed by, or that Leviton receives funds from, the federal government or the Recovery Accountability and Transparency Board. Nothing in Leviton's use of the logo is intended to suggest anything regarding the requirements for funding under ARRA.*