

CIRCUIT-BREAKER SIZE S0, FOR MOTOR PROTECTION, CLASS 10, A-REL. 7...10A, N-REL. 130A, SCREW TERMINAL, STANDARD SWITCHING CAPACITY



Figure similar

product brandname	SIRIUS
Product designation	circuit breaker
Design of the product	for motor protection

### General technical data

<b>Product extension</b>	
<ul style="list-style-type: none"> <li>Auxiliary switch</li> </ul>	Yes
<b>Power loss [W] total typical</b>	7 W
<b>Surge voltage resistance rated value</b>	6 000 V
<b>Protection class IP</b>	
<ul style="list-style-type: none"> <li>on the front</li> </ul>	IP20
<b>Mechanical service life (switching cycles)</b>	
<ul style="list-style-type: none"> <li>of the main contacts typical</li> </ul>	100 000

### Ambient conditions

<b>Ambient temperature</b>	
<ul style="list-style-type: none"> <li>during operation</li> </ul>	-20 ... +60 °C
<ul style="list-style-type: none"> <li>during storage</li> </ul>	-50 ... +80 °C
<ul style="list-style-type: none"> <li>during transport</li> </ul>	-50 ... +80 °C


Main circuit	
Number of poles for main current circuit	3
Adjustable pick-up value current of the current-dependent overload release	7 ... 10 A
Operating voltage <ul style="list-style-type: none"> <li>• rated value</li> <li>• at AC-3 rated value maximum</li> </ul>	690 V 690 V
Operating current <ul style="list-style-type: none"> <li>• at AC-3 <ul style="list-style-type: none"> <li>— at 400 V rated value</li> </ul> </li> </ul>	10 A
Operating power <ul style="list-style-type: none"> <li>• at AC-3 <ul style="list-style-type: none"> <li>— at 400 V rated value</li> </ul> </li> </ul>	4 kW
Operating frequency <ul style="list-style-type: none"> <li>• at AC-3 maximum</li> </ul>	15 1/h
Auxiliary circuit	
Number of CO contacts <ul style="list-style-type: none"> <li>• for auxiliary contacts</li> </ul>	0
Protective and monitoring functions	
Trip class	CLASS 10
Maximum short-circuit current breaking capacity (I <sub>cu</sub> ) <ul style="list-style-type: none"> <li>• at AC at 240 V rated value</li> <li>• at AC at 400 V rated value</li> <li>• at AC at 500 V rated value</li> <li>• at AC at 690 V rated value</li> </ul>	100 kA 100 kA 42 kA 6 kA
Short-circuit protection	
Design of the overcurrent release and short-circuit release	thermomagnetic
Installation/ mounting/ dimensions	
Mounting position	any
Mounting type	screw and snap-on mounting onto 35 mm standard mounting rail according to DIN EN 50022
Height	97 mm
Width	45 mm
Depth	96 mm
Required spacing <ul style="list-style-type: none"> <li>• with side-by-side mounting <ul style="list-style-type: none"> <li>— Backwards</li> <li>— at the side</li> </ul> </li> </ul>	0 mm 0 mm
Connections/Terminals	

<b>Product function</b>	
<ul style="list-style-type: none"> <li>removable terminal for auxiliary and control circuit</li> </ul>	No
<b>Type of electrical connection</b>	
<ul style="list-style-type: none"> <li>for main current circuit</li> <li>for auxiliary and control current circuit</li> </ul>	screw-type terminals screw-type terminals
<b>Arrangement of electrical connectors for main current circuit</b>	front side
<b>Type of connectable conductor cross-sections</b>	
<ul style="list-style-type: none"> <li>for main contacts               <ul style="list-style-type: none"> <li>— solid</li> <li>— stranded</li> <li>— finely stranded with core end processing</li> </ul> </li> <li>at AWG conductors for main contacts</li> </ul>	2x (1 ... 2.5 mm <sup>2</sup> ), 2x (2.5 ... 6 mm <sup>2</sup> ) 2x (1 ... 2.5 mm <sup>2</sup> ), 2x (2.5 ... 6 mm <sup>2</sup> ) 2x (1 ... 2.5 mm <sup>2</sup> ), 2x (2.5 ... 6 mm <sup>2</sup> ) 2x (14 ... 10)

### Certificates/approvals

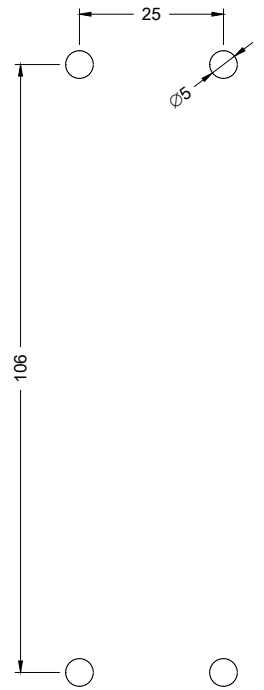
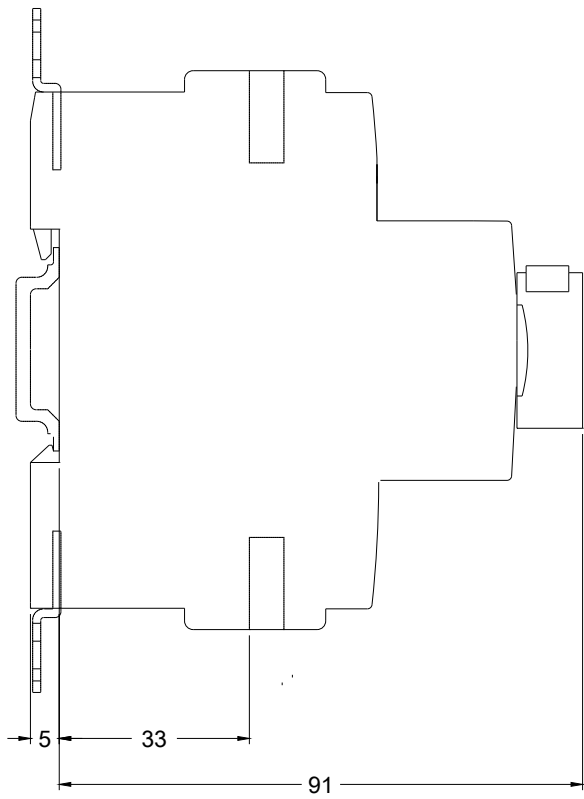
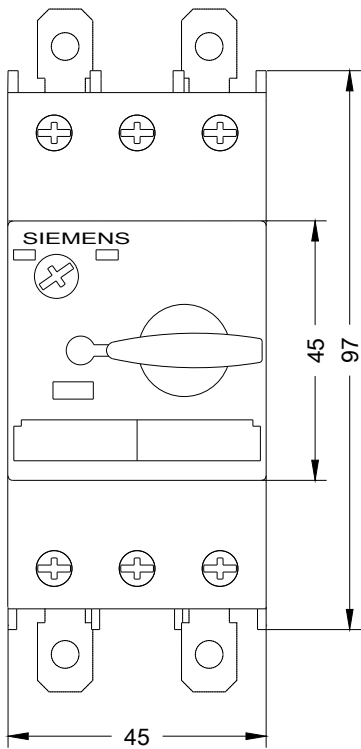
General Product Approval	For use in hazardous locations
 CCC  CSA  UL	 EAC  ATEX  IECEX

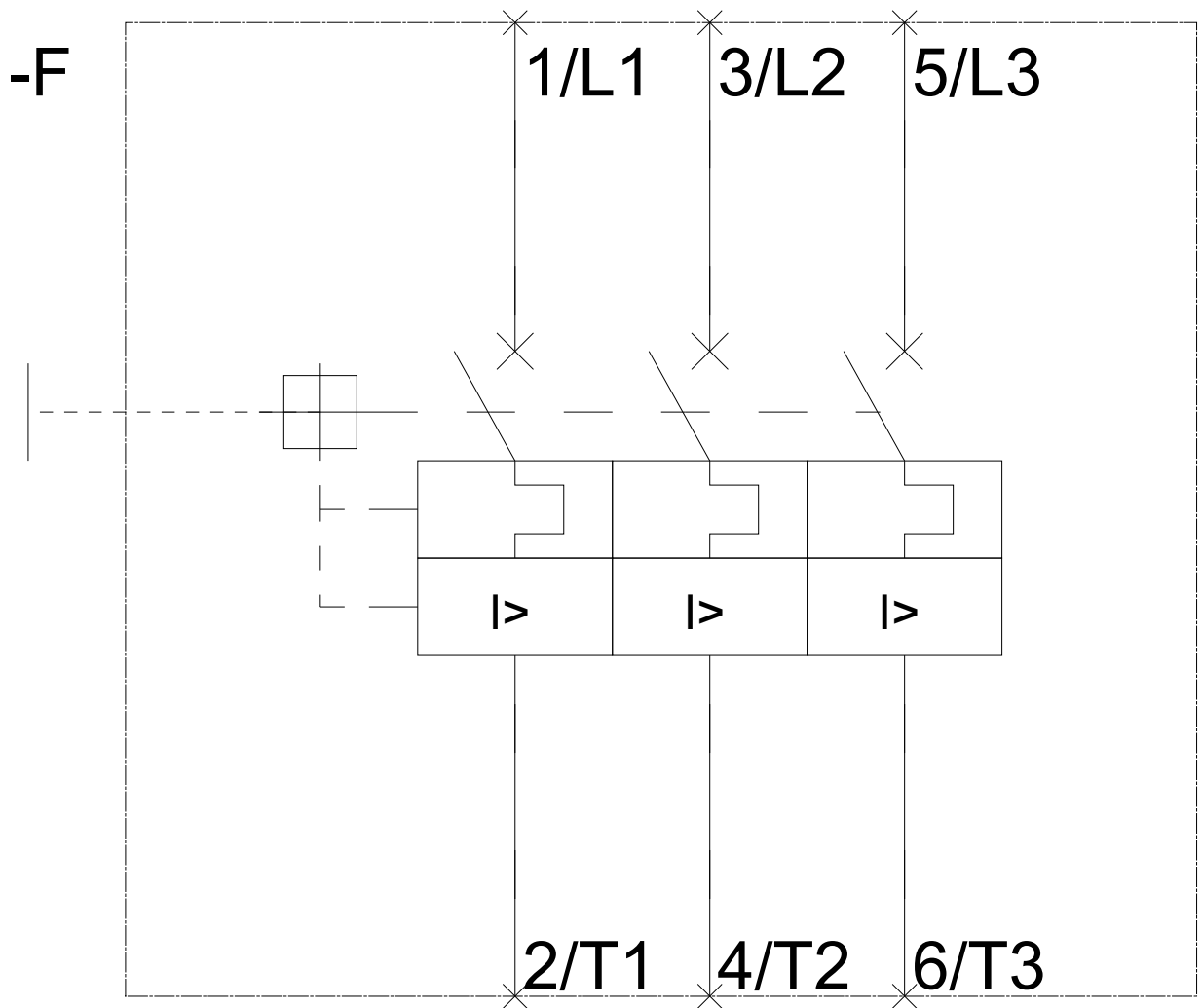
Declaration of Conformity	Test Certificates	Shipping Approval	other
 EG-Konf.	<a href="#">spezielle Prüfbescheinigung</a>  n	 ABS  LRS  RMRS	<a href="#">Bestätigungen</a>

other
<a href="#">sonstig</a>
<a href="#">Umweltbestätigung</a>  VDE

### Further information

- Information- and Downloadcenter (Catalogs, Brochures,...)**  
<http://www.siemens.com/industrial-controls/catalogs>
- Industry Mall (Online ordering system)**  
<https://mall.industry.siemens.com/mall/en/en/Catalog/product?mlfb=3RV1021-1JA10>
- Cax online generator**  
<http://support.automation.siemens.com/WW/CAXorder/default.aspx?lang=en&mlfb=3RV1021-1JA10>
- Service&Support (Manuals, Certificates, Characteristics, FAQs,...)**  
<https://support.industry.siemens.com/cs/ww/en/ps/3RV1021-1JA10>





last modified:

03/16/2017