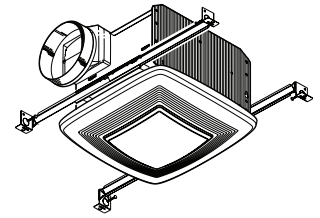


QTXE SERIES FAN / LIGHT / NIGHT LIGHTS MODELS QTXE080FLT & QTXE110FLT



Ultra-quiet, high performance bath fan / light with a modern-styled grille.

FEATURES

BLOWER:

- Plug-in, permanently lubricated motor - engineered for continuous operation
- Dynamically balanced centrifugal blower wheel for quiet, efficient performance
- Maintains a high percentage of rated CFM in less than ideal installations
- Low RPM for quiet operation

HOUSING:

- Rugged, galvanized steel construction
- 6" round ducting for superior performance
- Polymeric duct connector with tapered sleeve and no metallic clatter
- 7-5/8" height allows for 2" x 8" (nominal) joist installations
- Sturdy, easy, four-point mounting directly to joist
- Includes unique, patented spacer for mounting to engineered "I" joists
- Includes hanger bars to position housing anywhere between 16" to 24"-on-center joists
- Two sets of mounting holes for hanger bars allow flush installation with bottom or top of drywall
- Can be mounted in ceilings up to 12/12 pitch

GRILLE:

- Polymeric construction
- Innovative design - the result of extensive research with designers and consumers
- Energy efficient lighting - uses (2) 18W (max.) high efficiency, GU24 based, fluorescent bulbs (included) and 4W (max.) type C7 night light bulb (not included)
- Durable steel reflector with white enamel finish

CONTROLS (Purchase separately):

- Refer to Broan's catalog for a complete line of accessories to effectively adapt these fans to your construction requirements

U.L. Listed for use over bathtubs and showers when connected to a GFCI protected branch circuit (ceiling mount only).

U.L. Listed for use in insulated ceilings (TYPE I.C.)

3-Year Warranty

TYPICAL SPECIFICATION

Fan shall be Broan Model QTXE080FLT (QTXE110FLT).

Fan shall have corrosion resistant galvanized steel housing with four-point mounting capability. It shall be ducted to a roof or wall cap using 6" round ductwork.

Blower assembly shall be removable, have a centrifugal-type blower wheel and a permanently lubricated motor designed for continuous operation.

Non-metallic damper/duct connector shall be included.

Lamps shall be (2) 18W (max.) high efficiency, GU24 based fluorescents and separate 4W (max.) type C7 night light bulb.

Air delivery shall be no less than 80 (110) CFM and sound level no greater than 0.3 (0.7) Sonos. All air and sound ratings shall be certified by HVI.

Fan shall be ENERGY STAR® qualified and have an energy efficient permanent split capacitor motor.

Fan shall be U.L. Listed for use over bathtubs and showers when connected to a GFCI protected branch circuit (ceiling mount only).

Fan shall be U.L. Listed for use in insulated ceilings (Type I.C.).



Broan-NuTone LLC Hartford, Wisconsin www.broan.com 800-558-1711

REFERENCE	QTY.	REMARKS	Project
			Location
			Architect
			Engineer
			Contractor
			Submitted by Date

PERFORMANCE RATINGS

QTXE SERIES FAN / LIGHT / NIGHT LIGHTS

HVI PERFORMANCE

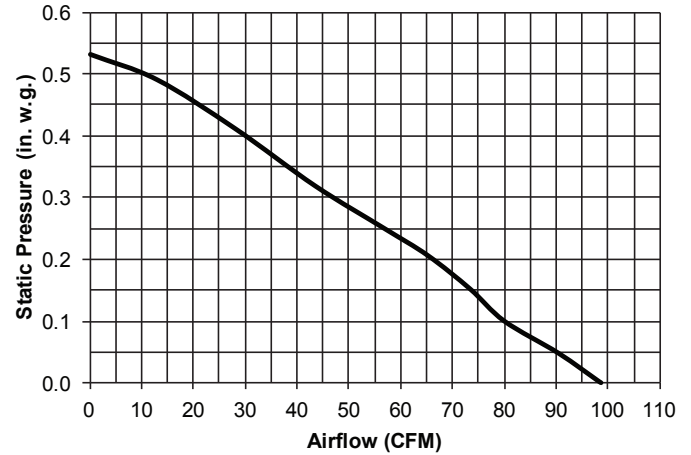
Model	Static Pressure (Ps)	CFM	Sones	Fan Watts
QTXE080FLT	0.10	80	0.3	23.3
	0.25	56		
QTXE110FLT	0.10	110	0.7	31.4
	0.25	86		



HVI-2100 CERTIFIED RATINGS comply with new testing technologies and procedures prescribed by the Home Ventilating Institute, for off-the-shelf products, as they are available to consumers. Product performance is rated at 0.1 in. static pressure, based on tests conducted in a state-of-the-art test laboratory. Sones are a measure of humanly-perceived loudness, based on laboratory measurements.

AIR FLOW PERFORMANCE

MODEL QTXE080FLT



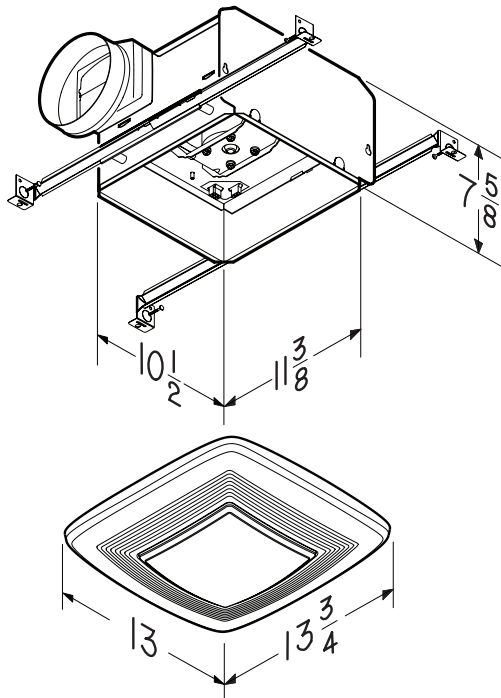
AMPS

Model	Amps*
QTXE080FLT	0.8
QTXE110FLT	1.0

* Total connected load

WEIGHT

Model	Shipping Weight
QTXE080FLT	16.2 lbs.
QTXE110FLT	15.8 lbs.



MODEL QTXE110FLT

