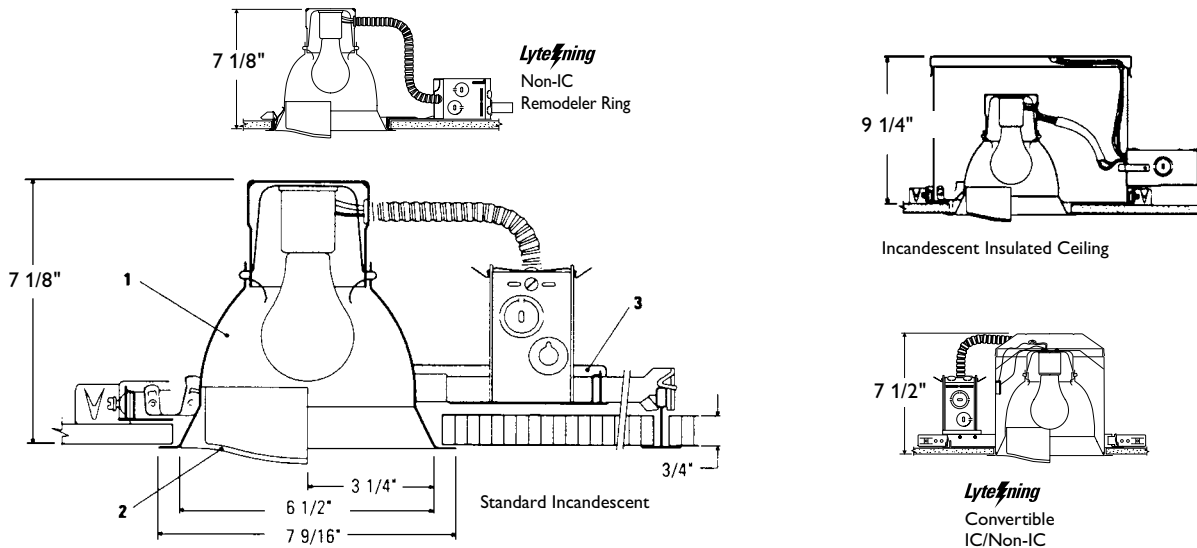


Lytecaster 6 3/4", Basic White, Wall Washer, Reflector Trim

Project:	Catalog No:	Mfg:
Location:	Fixture Type:	Qty:
Notes:		Lamps:



Ordering guide Complete Fixture consists of Reflector Trim & Frame-In Kit. Select each separately.

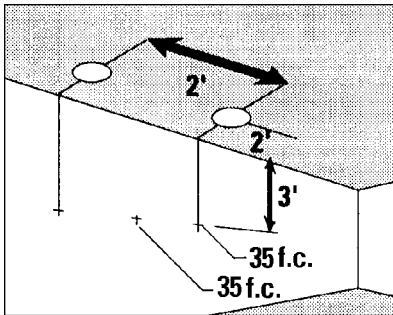
Reflector Trim	Frame-In Kit — See Individual Frame-In Kit Specification Sheets							
	LED				Incandescent			
1185 Perma White, Wall Washer, Reflector Trim	Frame-In Kit	Installation Type	Lamping	Height	Frame-In Kit	Ceiling Type	Lamping	Height
	L56LED	Non-IC Retrofit	LED	7 1/8"	1102P1 1103R	Non-IC Non-IC Remodeler	100W A19	7 1/8"
	Fluorescent				1100IC 1100AICM	IC AirSeal IC	52W A19	7 5/16"
	Frame-In Kit	Ceiling Type	Lamping	Height	1104ICX/N	AirSeal IC	52W A19	7 1/4"
	1100FTU Series	Non-IC	(1) Triple 26/32W (GX24q-3)	6 7/8"	1100DICM 1100DAICM	Deep IC Deep AirSeal IC	40W A19	9 1/4"
	1100AICMFT	AirSeal IC	(1) Triple 26/32W (GX24q-3)	6 7/8"	1104IC/N 1104ICR	AirSeal IC IC Remodeler	40W A19	7 1/2"
					1104IC/N 1104ICR	Non-IC Non-IC Remodeler	60W A19	7 1/2"

Features

- Deep Reflector:** Hydroformed aluminum, .040" thick (18 ga.); Perma White® finish with 88% reflectance; white trim flange. Provides smooth wash of light over wall surface without scallops or shadows.
- Aperture Plate:** Molded high-heat polymer, white finish.
- Frame-In Kit:** (1102P1 standard frame shown). Other frames listed above and shown on the right. See Frame-In Kit specification sheets for more details.

Labels

UL (Suitable for Damp Locations), I.B.E.W.



LIGHTING DATA

EXAMPLE: Multiple units with 100W A19 lamps, located 2' from wall and 2' on center, illumination on the wall 3' down from the ceiling of 35 f.c. beneath and 35 f.c. between the fixtures.

FOOTCANDLES ON WALL FROM MULTIPLE UNITS

100W A19									
UNITS 2 FEET FROM WALL									
DISTANCE FROM CEILING, FT.	1	2	3	4	5	6	7	8	9
1	39	36	39	29	19	29			
2	49	47	49	33	30	33			
3	35	35	35	23	25	23			
4	29	26	29	19	18	19			
5	16	18	16	13	12	13			
6	12	11	12	4	4	4			
7	8	8	8	6	6	6			
8	8	8	8	6	6	6			
9	7	8	7	6	6	6			

1 LT. 13W Quad Tube									
UNITS 2 FEET FROM WALL									
DISTANCE FROM CEILING, FT.	1	2	3	4	5	6	7	8	9
1	15	14	15	12	8	12			
2	20	20	20	15	13	15			
3	15	15	15	11	10	11			
4	10	10	10	7	7	7			
5	6	6	6	5	5	5			
6	4	4	4	3	3	3			
7	3	3	3	2	2	2			
8	2	2	2	2	2	2			
9	2	2	2	1	1	1			

100W A19									
UNITS 3 FEET FROM WALL									
DISTANCE FROM CEILING, FT.	1	2	3	4	5	6	7	8	9
1	14	12	14	10	10	10			
2	22	20	22	16	14	16			
3	23	23	23	18	16	18			
4	19	19	19	16	14	16			
5	16	15	16	13	12	13			
6	12	11	12	10	8	10			
7	9	10	9	8	6	8			
8	8	8	8	6	6	6			
9	8	8	8	5	6	5			

2 LT. 13W Quad Tube									
UNITS 2 FEET FROM WALL									
DISTANCE FROM CEILING, FT.	1	2	3	4	5	6	7	8	9
1	23	21	23	18	12	18			
2	29	29	29	21	18	21			
3	22	22	22	15	15	15			
4	14	15	14	10	10	10			
5	10	10	10	7	7	7			
6	6	7	6	5	5	5			
7	5	5	5	4	4	4			
8	3	3	3	3	3	3			
9	2	2	2	2	2	2			

Footcandle values are averaged and rounded off and are based on a minimum of five units.

For fixture-to-wall distances, other than those shown, use maximum of 1 of 1 spacing (distance between fixtures not more than distance to wall) for best result.

To convert lighting data for a lower wattage incandescent lamp of the same type, multiply the footcandle values by the ratio of the lumens of the two lamps.



©2015 Koninklijke Philips N.V. All rights reserved.
 Philips reserves the right to make changes in specifications and/or to discontinue any product at any time without notice or obligation and will not be liable for any consequences resulting from the use of this publication.
philips.com/luminaires

1185 12/15

Philips Lighting,
 North America Corporation
 200 Franklin Square Drive,
 Somerset, NJ 08873
 Tel. 855-486-2216

Philips Lighting Canada Ltd.
 281 Hillmount Rd,
 Markham, ON,
 Canada L6C 2S3
 Tel. 800-668-9008