

Fire-Rated Poke-Throughs
SystemOne Flush
4-Inch Diameter Core Hole

HUBBELL



Features

- One 3/4" EMT for Power, One 1-1/2" EMT for Low Voltage
- S1CFCBL, Black Powder Coat Finish Cover Included
- S1SP3IM sub-plate Included
- Junction Box Included

Ordering Information

- Fully Assembled Fitting, Cover and Sub-Plate

Catalog Number	UPC Number	Cover Series	Core Hole Diameter
S1PT3IMBLJ	783585373126	S1CFC	4-Inch

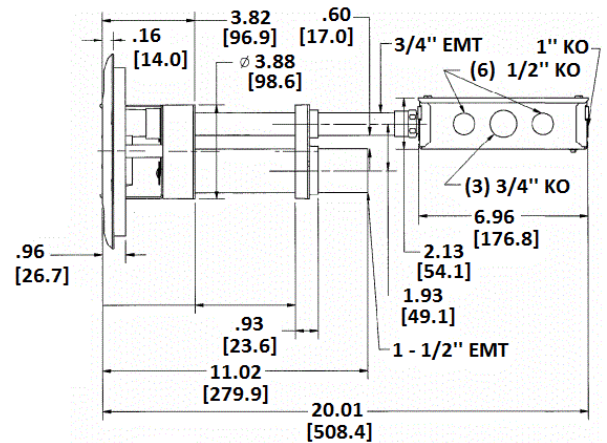
Minimum Deck Thickness	Connection Type
2.25" Over Metal Deck	Flush

Standards

cULus Listed
 UL scrub water compliant
 ADA Compliant

Specifications

Cover load rating	300 lbs. static load through 3" diameter mandral
Access cover material	Die cast aluminum
Fire Rating	1 - 4 Hour Fire Rating



Accessories

4" Pre-Pour Tube, removed need for core hold drilling **S1R4PPT**

Online Resources

Customer Use Drawing
 eCatalog
 Installation Instructions

Dimensions in Inches (mm)

Hubbell Wiring Device-Kellems • Hubbell Incorporated (Delaware) • 40 Waterview Drive • Shelton, CT 06484

Phone (800) 288-6000 • Fax (800) 255-1031 • Specifications subject to change without notice.

