

Twist-Lock® Devices

20A, 125V AC, 2 Pole, 3 Wire Grounding

Single Flush Receptacle

HUBBELL



Features

- Insulation barrier construction isolates ground contact from mounting strap
- Wire restraint recess for both back and side wiring, greatly reduces the possibility of loosening the terminal connection
- High-impact, abuse-resistant nylon face
- All-brass mounting and grounding system provides a lower resistance ground path and greater resistance to corrosion than steel mounting systems

Ordering Information

Description	Device Color	UPC	Catalog Number
Isolated ground, nylon	Orange	783585872209	IG2310

Listings

Listed to UL 498
Fed.Spec. W-C-596
Certified to CSA C22.2 No.42

Specifications

Face	Nylon
Base	RTP
Contacts	Brass
Terminal Screws	#10 - 32 Brass
Mounting Strap	Brass

Performance

Electrical

Current Interrupting Certified for current interrupting at full rated current
Dielectric Voltage Withstands 2,000V minimum

Mechanical

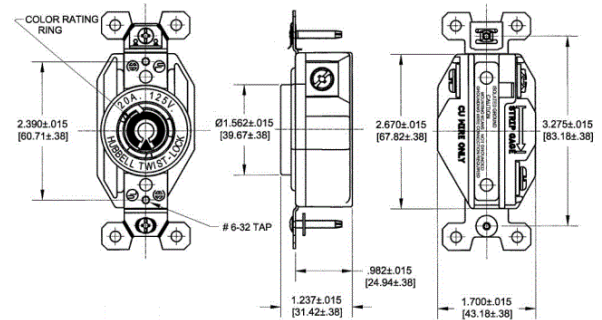
Flammability V2 or better per UL94/CSA 22.2 No.0.17
Terminal Accommodation #16 AWG - #8 AWG solid or stranded copper wire.
Terminal Identification Terminals identified in accordance with UL 498

Environmental

Moisture Resistance IP20 Suitability
Operating Temperatures Maximum Continuous 75°C; Minimum -40°C (w/o impact)



20A 125V
NEMA L5-20R
UL/CSA
1 HP



Online Resources

Customer Use Drawing
eCatalog
Installation Instructions

Accessories

Plug
Wallplate or Weatherproof Cover

HBL2311
1.60" Opening

Dimensions in Inches (mm)

Hubbell Wiring Device-Kellems • Hubbell Incorporated (Delaware) • 40 Waterview Drive • Shelton, CT 06484

Phone (800) 288-6000 • Fax (800) 255-1031 • Specifications subject to change without notice.

