

5278-CWP

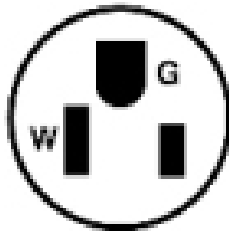
Tamper Resistant Receptacles



UPC Code: 07847701871

Country of Origin: United States - **Eligible for ARRA funded projects*

NEMA: 5-15P



**May include one or more globally sourced components.*



Brand Features

Leviton's Straight Blade Power Inlets are suitable for industrial indoor and outdoor applications. Glass-filled thermoplastic cover and plate provides outstanding impact resistance and durability. Stainless steel external hardware resists corrosive effects of moisture as dual gaskets, one under plate and one under lid, provide for a superior weather-resistant fit.

Item Description

15 Amp, 125 Volt, NEMA 5-15P, 2P, 3W, Power Inlet Receptacle, Straight Blade, Industrial Grade, Grounding, , Standard Wire Wells Wired, Nylon Strap, - Gray

Technical Information

AC Horsepower Ratings

At Rated Voltage: 1/2 HP

Electrical Specifications

Grounding: Grounding

Amperage: 15 Amp

Voltage: 125 Volt

NEMA: 5-15P

Pole: 2

Wire: 3

Dielectric Voltage: Withstands 1500V per UL498

Current Limiting: Full Rated Current

Temperature Rise: Max 30C after 250 cycles OL at 200 percent rated current

Environmental Specifications

Flammability: Rated V-2 per UL94

Operating Temperature: -40C to 60C

Material Specifications

Face Material: Nylon

Body Material: Nylon

Cover and Plate Material: Glass-Filled Thermoplastic

Line Contacts: Brass

Terminal Screws: Brass 10-32

Grounding Screw: Brass 8-32

Strap Material: Nylon

Color: Gray

Mechanical Specifications

Terminal ID: Brass-Hot, Green-Ground, White-Neutral

Terminal ID: Brass-Hot, Green-Ground, Silver-Neutral

Terminal Accom.: 18-10 AWG

Product ID: Markings are permanently marked on device

Termination: Standard Wire Wells

Product Features

NEMA: 5-15P

Color: Gray

Standards and Certifications

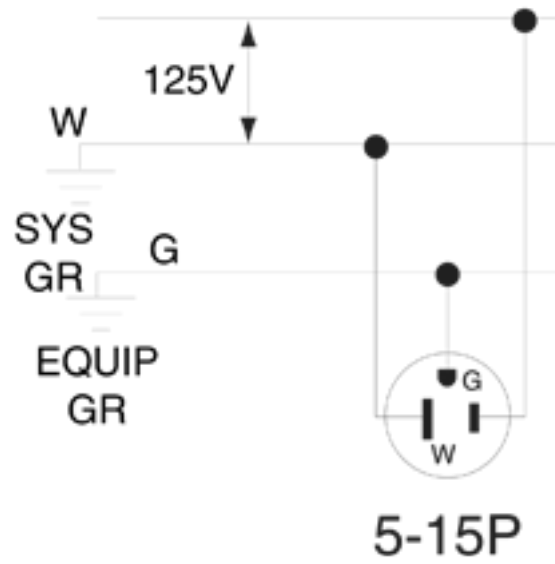
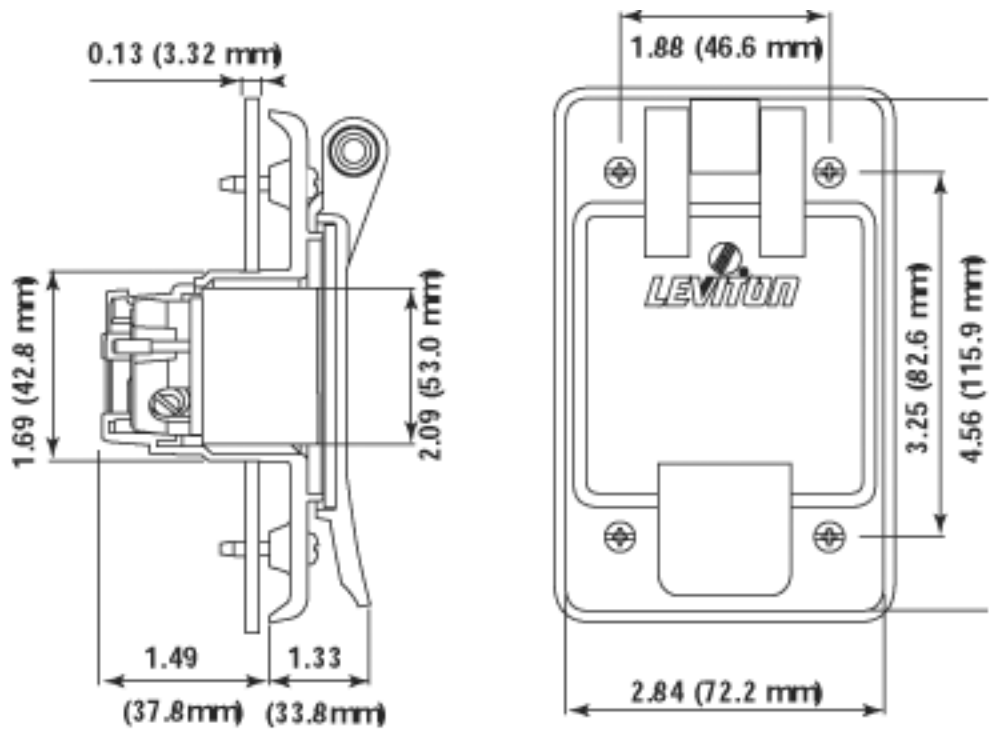
NEMA: WD-6

ANSI: C-73

UL498: File E13393

CSA C22.2 No. 42: File LR-16347

NOM: 057



SPECIFICATION SUBMITTAL

JOB NAME: <input type="text"/>	CATALOG NUMBERS: <input type="text"/>	
JOB NUMBER: <input type="text"/>	<input type="text"/>	<input type="text"/>

Leviton Manufacturing Co., Inc.

201 North Service Road, Melville, NY 11747

Telephone: 1-800-323-8920 · FAX: 1-800-832-9538 · Tech Line (8:30AM-7:30PM E.S.T. Monday-Friday): 1-800-824-3005

Leviton Manufacturing of Canada, Ltd.

165 Hymus Boulevard, Pointe Claire, Quebec H9R 1E9 · Telephone: 1-800-469-7890 ·

FAX: 1-800-824-3005 · www.leviton.com/canada

Leviton S. de R.L. de C.V.

Lago Tana 43, Mexico DF, Mexico CP 11290 · Tel.: (+52)55-5082-1040 · FAX: (+52)5386-1797 · www.leviton.com.mx

Visit our Website at: www.leviton.com

© 2012-2016 Leviton Manufacturing Co., Inc. All rights reserved. Subject to change without notice.



Leviton has a global presence.

If you would like to know where your local Leviton office is located please go to: www.leviton.com/international/contacts/

**Buy American Compliant Logo -- The American Recovery And Reinvestment Act of 2009 ("ARRA") provides federal grants and loans for projects throughout the country. Section 1605 of the Act, named the "Buy American" provision, requires that certain materials and manufactured products used in projects funded by the Act be manufactured in the United States. The appearance of the Recovery Act Logo in relation to a Leviton product is only intended to reflect that such product may be used in an ARRA funded project. It does not mean that such product or Leviton is sponsored or endorsed by, or that Leviton receives funds from, the federal government or the Recovery Accountability and Transparency Board. Nothing in Leviton's use of the logo is intended to suggest anything regarding the requirements for funding under ARRA.*