

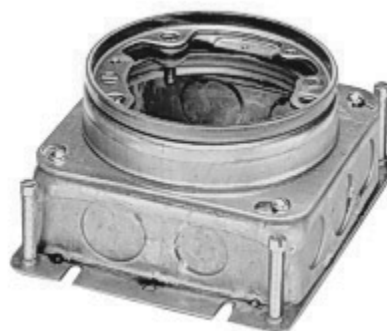
Floor Boxes
Flush Round Single Service
Concrete Floor Boxes

HUBBELL



Features

- Stamped steel construction
- Concentric knockouts permit various conduit sizes
- Economical and light weight for above-grade applications



Ordering Information

Description	Collar Material	UPC Number	Catalog Number
1 Gang Floor Box	Aluminum	783585105604	BA2529

Listings

UL File Number E31999
CSA File Number LR18416

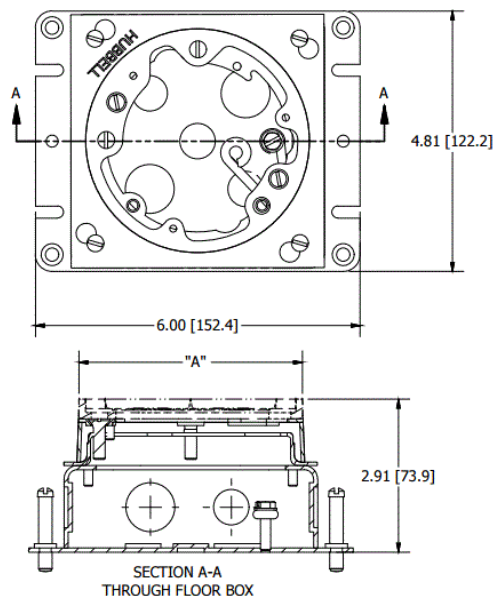
Specifications

Style	Stamped Steel
Cubic Inch Capacity	37.3 cu. in. (611.2 cm ³)
NPT KOs	Sides: (2) 1/2" & (1) 3/4" Ends: (1) 1/2" & (1) 3/4" Bottom: (3) 1/2" & (2) 3/4"

Performance

Installation Information

Min. Depth of Pour	3.00" (76.2)
Post Pour Adjustment	0.38"



Complementary Products

Replacement Collar	C2500
Replacement Aluminum Cover Flange	SA5016

Online Resources

Customer Use Drawing
eCatalog
Installation Instructions

Dimensions in Inches (mm)

Hubbell Wiring Device-Kellems • Hubbell Incorporated (Delaware) • 40 Waterview Drive • Shelton, CT 06484

Phone (800) 288-6000 • Fax (800) 255-1031 • Specifications subject to change without notice.

