



**Specifier's Reference**

Project
Type
Model No.
Comments

**codes and standards**

- UL listed to Standard 924
- NFPA 70 (National Electric Code)
- NFPA 101 (Life Safety Code)
- California Energy Commission
- UL listed for damp location.

**construction**

- Black and white finishes are epoxy-based powder coat paint and are available only on certain items.
- Low profile, snap-together quick mount design.
- Flame rated, UV stable thermoplastic housing.

**installation**

- Universal wall or ceiling mounting.
- Pop-out chevron directional indicators are easily removed when required.

**electronics**

- Maintenance free 6V sealed lead acid battery.
- Supplies 90 minutes of emergency power.
- Surge protection, low voltage disconnect, AC lockout installation, brown out protection, and constant current charger.
- 120/277 VAC selectable input.
- VC Units:  
Input Power: 0.030A (120VAC)  
Input Power: 0.013A (277VAC)

**lamps**

- Bright red or green energy efficient LED lamps
- Uniform 6" letter illumination (3/4" stroke).

**battery**

- Maintenance free sealed lead acid battery has an estimated service life of 5 years and a operating temperature range of 65°F (19°C) to 85°F (30°C).
- Provides 90 minutes of emergency illumination.

**remote capacity**

- Optional remote capacity model includes 6V maintenance free sealed lead acid batteries.
- Supplies 90 minutes of emergency power for exit sign plus an additional 12W of 6V-DC load.

**warranty**

- Three year warranty on unit.

**Green Product Choice:VCRW**

Catalog Number	Volts	Wattage	Letter Color	Housing Color	Lamp Type	Remote Capacity
VCRW	6	22	Red	White	5.4W tungsten	12W
VCGW	6	22	Green	White	5.4W tungsten	12W
VCRB	6	22	Red	Black	5.4W tungsten	12W
VCRWLRC	6	12	Red	White	5.4W tungsten	none
VCGWLRC	6	12	Green	White	5.4W tungsten	none

**Combo Lamp Heads**

Unique design allows for lamp heads to be adjusted for installation on the side or top of the housing. This provides for maximum flexibility during installation.

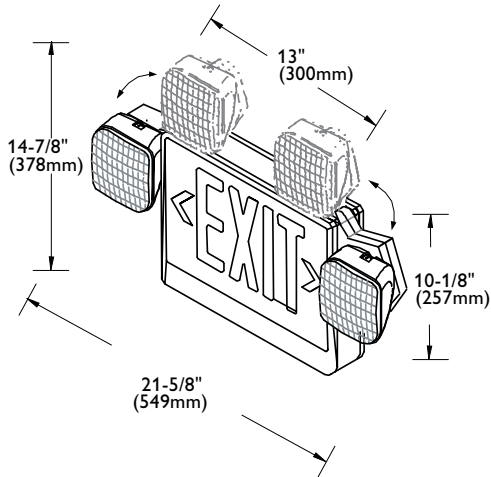
**Accessories**

**WGS** – Wire guard

**Note:**

All combos are universal (single face with an extra stencil face plate)  
Refer to CA-51200 for matching remote lampheads.

dimensions



Some luminaires use fluorescent or high intensity discharge (HID) lamps that contain small amounts of mercury. Such lamps are labeled, "Contain Mercury" and/or the symbol "HG". Lamps that contain mercury must be disposed of in accordance with local requirements. Information regarding lamp recycling and disposal can be found at [www.lamprecycle.org](http://www.lamprecycle.org)

© 2016 Philips Lighting Holding B.V. All rights reserved.  
 Philips reserves the right to make changes in specifications and/or to discontinue any product at any time without notice or obligation and will not be liable for any consequences resulting from the use of this publication.  
[philips.com/luminaires](http://philips.com/luminaires)



Philips Lighting North America Corporation  
 200 Franklin Square Drive, Somerset, NJ 08873  
 Tel. 855-486-2216

Philips Lighting Canada Ltd.  
 281 Hillmount Rd, Markham, ON, Canada L6C 2S3  
 Tel. 800-668-9008