

FEATURES & SPECIFICATIONS

INTENDED USE — Provides a minimum of 90 minutes of illumination for the rated wattage upon loss of AC power. Ideal for applications requiring attractive unit equipment with quick installation.

CONSTRUCTION — White, compact, low-profile contemporary design. Engineering-grade thermoplastic housing is impact-resistant, scratch-resistant and corrosion-proof. UL94V-0 flame rating. UV-stable resin resists discoloration from natural and man-made light sources.

Two 9W wedge-based krypton lamps offer 80 percent more light output than standard 9W incandescent lamps. Patented, MR24, multi-faceted reflector significantly improves photometric performance – 48 percent more light delivered to path of egress.

Unique track-and-swivel arrangement permits full range of direction of lamp head adjustment. Ceiling mount standard. **US Patent No. D-532,918. Patent-pending Quick-Mount for simple installation.**

Tool-less access for maintenance. Rigid conduit entry on both top and side on large units (ELM654, ELM1254, and ELM1272), and top only for small units (ELM618 and ELM627).

Universal J-box mounting pattern.

Low-profile, integrated test switch/pilot light.

Battery: Sealed, maintenance-free lead-calcium battery standard. Automatic recharge after a 90-minute discharge. Single-circuit battery connection.

ELECTRICAL — Universal input voltage capability (120 through 277 volt, 50 or 60 Hz).

Current-limiting charger maximizes battery life and minimizes energy consumption. Provides low operating costs.

SHORT-CIRCUIT PROTECTION – CURRENT-LIMITING CHARGER CIRCUITRY PROTECTS PRINTED CIRCUIT BOARD FROM SHORTS.

Thermal protection senses circuitry temperature and adjusts charge current to prevent overheating and charger failure.

Thermal compensation adjusts charger output to provide optimum charge voltage relative to ambient temperature.

Regulated charge voltage maintains constant-charge voltage over a wide range of line voltages. Prevents over/under charging that shortens battery life and reduces capacity.

Filtered charger input minimizes charge voltage ripple and extends battery life.

AC/LVD reset allows battery connection before AC power is applied and prevents battery damage from deep discharge

Self-Diagnostics: Single multi-color LED indicator to display two-state charging, test activation and three-state diagnostic status. Test switch provides manual activation of 30-second diagnostic testing for on-demand visual inspection. WRS Self-diagnostic testing for five minutes every 30 days and 90 minutes annually. Self diagnostic testing for five minutes every 30 days and 30 minutes biannually. Diagnostic evaluation of LED light source, AC to DC transfer, charging and battery condition. Continuously monitors AC functionality. Load learning capability self-calibrates to DC load at first test, enabling it to detect a lamp failure on future tests. It may be recalibrated at any time by holding down the test switch for 15 seconds.

Catalog Number
Notes
Type



QUANTUM®

Thermoplastic Emergency Light

ELM 6-12

High Capacity Units
Lead-Calcium Battery



Wireless Reporting System: Data from self-diagnostics will be communicated via wireless transceivers within their vicinity, creating a self-configuring, self-healing, and self-optimizing wireless network that exchanges the data between FIDO compatible emergency lighting fixtures on an event driven-basis. **Must be ordered with FIDO edge router.**

Wireless communications electronics to operate 2.4GHz mesh network are enclosed entirely within the fixture.

INSTALLATION — Radio range is 500' between fixtures in most buildings. Actual performance may vary depending on application environment and electromagnetic interference. Substantially longer distances have been recorded in uninterrupted open air. Consult factory for more details.

LISTINGS — UL listed. Damp Location listing available. Damp Location listed STD on WRS, Meets UL 924, NFPA 101, NFPA 70-NEC and OSHA illumination standards. WRS meets all applicable FCC requirements.

WARRANTY — 3-year limited warranty. Complete warranty terms located at www.acuitybrands.com/CustomerResources/Terms_and_conditions.aspx

Actual performance may differ as a result of end-user environment and application.
Note: Specifications subject to change without notice.

ORDERING INFORMATION For shortest lead times, configure product using **standard options (shown in bold)**. Example: ELM618

Family	Lamp type	Options ⁵
ELM618 6V, 18W	6-Volt MR 24 Composite	B Black housing ⁶ RO Less heads ¹⁰
ELM627 6V, 27W	(blank) 9W/6V krypton ¹ (blank) 9W/12V krypton	N Maintenance-free ni-cad battery ⁷ DL Damp location, 50°-104°F (10° - 40°C) ^{7,11,12}
ELM654 6V, 54W	H1206 12W/6V halogen ² H1212 12W/12V halogen	TD Time delay ⁸ NOM NOM Certified ¹³
ELM1254 12V, 54W	H2006 20W/6V halogen ³ H2012 20W/12V halogen	WRS Dual voltage 120/277, lead calcium battery back up and self-diagnostic with FIDO wireless reporting system capability ²
ELM1272 12V, 72W		

Options Availability Guide											
Product	Size	SD ⁸	TD ⁸	RT ⁹	N ⁷	B ⁶	DL ^{7,11}	RO ¹⁰	NOM ¹³	WRS ²	
ELM618	S	■	■		■		■	■	■		
ELM627	S	■	■	■	■	■	■	■		■	
ELM654	L	■	■					■		■	
ELM1254	L	■	■		■		■	■	■		
ELM1272	L	■	■	■		■		■			

Accessories: Order as separate items.		Notes
ELA LRT	Remote test (laser) for distances up to 15'	1 Available on ELM618, ELM627, and ELM654 only.
ELA VS2	Polycarbonate vandal shield (1/8" thick) ¹⁴	2 Available on ELM627 and ELM654 only. Not available with any other options.
ELA WG2M	Wireguard (21-1/4"W x 15"H x 12"D) ¹⁵	3 Available on ELM654 only.
ELA MR24	Compact MR24 remote lamp head ELA MR24 K0606 (6W, 6V krypton) ELA MR24 K0906 (9W, 6V krypton) ELA MR24 H1206 (12W, 6V halogen) ELA MR24 K0912 (9W, 12V krypton) ELA MR24 H1212 (12W, 12V halogen) ELA MR24 H2006 (20W, 6V halogen) ELA MR24 H2012 (20W, 12V halogen)	4 Available on ELM1254 and ELM1272 only. 5 See Options Availability Guide. 6 Available on ELM627 and ELM1272. 7 Available on ELM618, ELM627, and ELM1254 only. 8 SD and TD for ELM618 and ELM1254 must be ordered with N option. TD not available with RT. 9 RT not available with SD or TD. Order ELA LRT separately. 10 Not available with any other options, except ELM1272 TD. 11 Damp location listed from 50°F - 104°F (10°C to 40°C) except ELM618N, ELM627N and ELM1254N listed from 60°F - 90°F (16°C to 32°C). 12 Standard with WRS. 13 NOM available with ELM618 and ELM1254 only (not available with any other options). See spec sheet ELA-WG . 14 See spec sheet ELA-RTLP-MS-VS2 . 15 See spec sheet ELA-WG .
FIDO	Emergency wireless reporting system edge router (see FIDO specification for details)	

ELM 6-12 QUANTUM® Thermoplastic Emergency Light

SPECIFICATIONS

ELECTRICAL

Primary Circuit

Type	AC input			Output volts	Watts output			
	Volts	Amps	Max watts		1-1/2 hrs.	2 hrs.	3 hrs.	4 hrs.
ELM618	120	.167	5.2	6	18	13.5	9	3
	277	.072	5.6					
ELM627	120	.10	5.2	6	27	20	13.5	10
	277	.04	5.6					
ELM654	120	.250	7.4	6	54	40.5	27	20
	277	.108	7.4					
ELM1254	120	.250	11	12	54	40.5	27	20
	277	.108	11.1					
ELM1272	120	.250	11	12	72	54	36	27
	277	.108	11.1					

BATTERY

Nickel-Cadmium

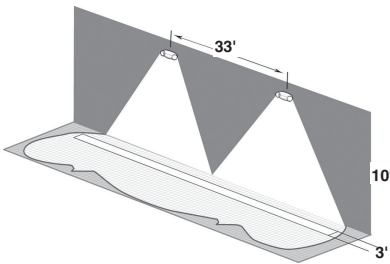
Voltage	Shelf life ¹	Typical life ¹	Maintenance ²	Optimum temperature ³
6/12	3 years	5-7 years	none	32°-100°F (0°-37.8°C)

Sealed Lead calcium

Voltage	Shelf life ¹	Typical life ¹	Maintenance ²	Optimum temperature ³
6/12	12 months	3-4 years	none	60°-90°F (16°-32°C)

- At 77°F (25°C).
- All life safety equipment, including emergency lighting for path of egress, must be maintained, serviced and tested in accordance with all National Fire Protection Association (NFPA) and local codes. Failure to perform the required maintenance, service or testing could jeopardize the safety of occupants and will void all warranties.
- Optimum ambient temperature range where unit will provide capacity to 90 minutes. Higher and lower temperatures affect life and capacity. Consult factory for detailed information.

PERFORMANCE DIAGRAMS

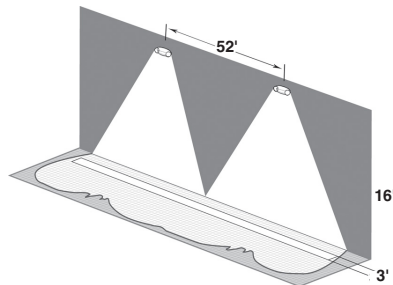


ELM12 Performance Advantage

- 12-volt, 9-watt krypton lamp
- Typical 10-foot mounting height delivers 33 feet center-to-center spacing
- 48% increase in center-to-center spacings over competitive 12-volt higher capacity emergency lighting units.

ELM6 Halogen Performance Advantage

- 6-volt, 20-watt halogen lamp
- Higher mounting heights deliver 50+ feet center-to-center spacing
- 73% increase in center-to-center spacings over the highest wattage lamphead available from competitive emergency lighting units

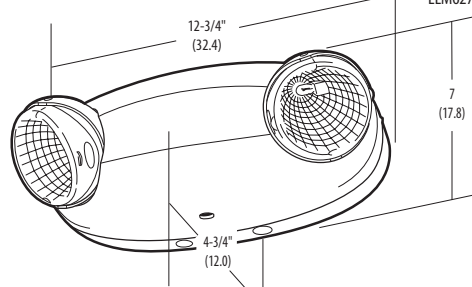


MOUNTING

All dimensions are in inches (centimeters).

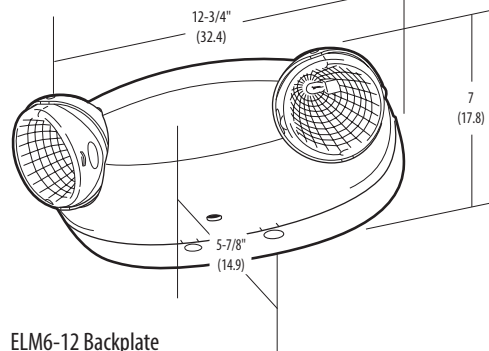
ELM618 and ELM627 Dimensions (small housing)

Shipping weight:
ELM618 - 6.8 lbs. (3.1 kgs)
ELM627 - 8.0 lbs. (3.6 kgs)

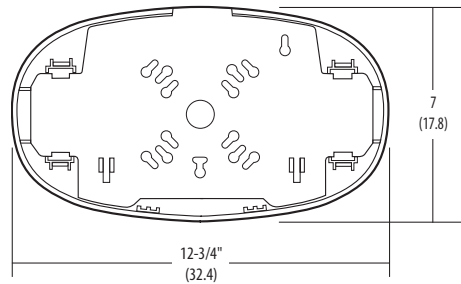


ELM654, ELM1254 and ELM1272 Dimensions (large housing)

Shipping weight:
ELM654 - 13 lbs. (5.9 kgs)
ELM1254 - 13 lbs. (5.9 kgs)
ELM1272 - 13 lbs. (5.9 kgs)



ELM6-12 Backplate



Recommended Center-to-Center Spacing

Lamps	Mounting height				
	7.5'	10'	12'	16'	20'
K0606	25'	N/A	N/A	N/A	N/A
K0906	25'	31'	29'	27'	23'
K0912	25'	33'	30'	29'	26'
H1212	N/A	31'	33'	39'	41'
H2006	N/A	35'	37'	52'	49'