

CT213UNV

APPLICATION and PERFORMANCE SPECIFICATION

Description: Electronic compact fluorescent ballast for (2/1) CFT13W/2GX7 4-pin Twin T4 lamps

- Line Voltage: 120vac to 277vac, $\pm 10\%$, 50-60Hz
- High Power Factor
- Programmed Rapid Start
- Series Lamp Connection

Model	Line Volts	Lamp		Input Watts	Nominal Line Amps	Ballast Factor	Power Factor	THD	Crest Factor
		Type	#						
CT213UNV	120	CFT13W	2	26	0.22	.98	> .98	< 10%	<1.6
	277	CFT13W	2	26	0.10	.98	> .98	< 10%	<1.6
CT213UNV	120	CFT13W	1	15	0.12	.98	> .98	< 10%	<1.6
	277	CFT13W	1	15	0.06	.98	> .97	< 12%	<1.6

Application and Performance Specification Information Subject to Change without Notification

Performance:

- Meets ANSI Standard C82.11
- Meets FCC Part 18 (Non-Consumer), Limits for EMI/RFI
- **Auto-Reset Shutdown Circuit** per NEMA Recommendations
 - Both lamps should be replaced at end of life
 - Lamp relights upon insertion in socket
- Suitable for use in air handling spaces when NEC wiring guidelines are followed

Safety:

- No PCB's
- cUL-Us
 - Type 1 Outdoor, Type CC, Type HL

Application:

- Minimum Starting Temperature: 0° F, -18° C
- Maximum Ambient Temperature: 122° F, 50° C
- Maximum Case Temperature (@ tc): 167° F, 75° C
- Sound Rated: A
- Lead configuration: ME - Multi Exit
or
BE - Bottom Exit
- Remote Mounting: 12 feet
- Also operates on 125VDC input, (+)L (-)N

Physical Parameters

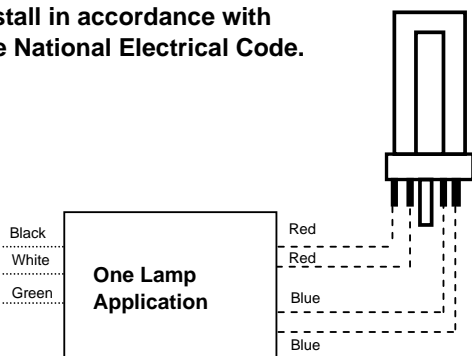
- Length: 4.94"
- Width: 2.31"
- Mounting: 4.61"
- Height: 1.00"
- Weight: 0.57 lbs
- Qty/Cartron: 20
- Color: White
- Can Material: Metal

Warranty:

Universal Lighting Technologies warrants to the purchaser that each electronic ballast will be free from defects in material or workmanship for a period of 5 years from date of manufacture when properly installed and under normal conditions of use. Call **1-800-BALLASTx800** for technical assistance.

Manufactured in North America

Install in accordance with the National Electrical Code.



Ballast has plug in wire trap connectors. Use 18 AWG solid copper wire, stripped to 3/8". Ballast Must be Grounded. Use External Ground Wire.

