



Inserts, Elbows & Plugs
T&B Catalog Number:

ESL-2
 04226934070
 Active

UPC Number:
Status:
Description:

3/4 inch Die Cast Aluminum 90 Degree Insert. For Use with Rigid/IMC Conduit.



Application

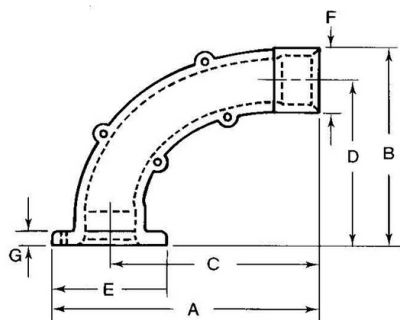
For use with rigid/IMC conduit
 Allows in-slab ceiling drops and floor mounts in poured concrete as well as pre-fabrication of in-slab conduit system

General

Material Die Cast Aluminum

Dimension Information

Hub Size (inches)	4-Mar
A (inches)	5 11/64
B (inches)	3 23/32
C (inches)	4 1/8
D (inches)	3 3/32
E (inches)	2 1/8
F (inches)	1 1/4
G (inches)	4-Jan



Packaging

T&B Order Multiple	20
Package in Units	20
T&B Sold in UOM	Each
T&B Weight Per UOM	0.8 lbs. Each

Application Support

Product Selector	lc_rigidimc_inserts_elbows_plugs
Product Overview	Available on Website
D-Pak Merchandising System	Available on Website

Certifications

RoHS Compliance No

Certifications



File Nbr:
 E 28720

For further technical assistance, please contact us...

Thomas & Betts - USA
 8155 T&B Blvd.
 Memphis, TN 38125
 www.tnb.com

T&B Technical Support
 MS 3B-50
 8155 T&B Blvd.
 Memphis, TN 38125

Hours: 7AM - 6PM CDT
 Monday-Friday
 Phone: (888) 862-3289
 Fax: (901) 252-1321
 Email:techsupport@tnb.com