



**Project:** Chapman

**Gould Electric**

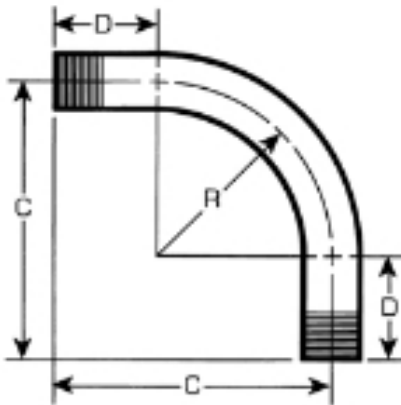
**Ocal**<sup>®</sup>

**Elbows-PVC Coated  
T&B Catalog Number:**

ELL1-G  
70450836988  
Active

**UPC Number:**  
**Status:**  
**Description:**

Standard Radius Elbow, 40 Mil PVC Coated, Pipe Size 1 Inch/27 Metric, Angle 90 Degrees, Radius 5-3/4 Inch/146.05 Millimeters, Offset 8 Inch/203.20 Millimeters, Straight End 2-1/4 Inch/57.15 Millimeters, Unbent Length 13.53 Inch/343.71 Millimeters, Hot-Dip Galvanized Rigid Steel, Gray



**Features**

- A minimum .040 in. (40 mil) PVC coating on the exterior.
- A nominal .002 in. (2 mil) blue urethane on the interior.
- Ocal-Blue standard radius elbows are factory bent to reduce the time and wasted materials that can result from field bending.
- Color coded thread protectors on each end.

**General**

Custom_Finish	sre_190
Material	Steel
Finish	Hot-Dip Galvanized
Color	Dark Gray
Thread Protector Color	Blue

**Dimension Information**

Pipe Size (Metric Size Designator*)	27
Size (inches)	1
Degree of Bend	90
Radius-R (inches)	5.75
Radius-R (mm)	146.05
Offset-C (feet/inches)	8.63
Offset-C (inches)	8.63
Offset-C (mm)	219.202
Straight End-D (inches)	2.88
Straight End-D (mm)	73.152
Unbent Length (inches)	14.75
Unbent Length (mm)	374.65

**Technical Information**

Chemical Resistance Chart	Available on Website
---------------------------	----------------------

**Specifications**

Available on Website

Ocal Specification Guide-1995 Master  
Format-PDF

Ocal Specification Guide-1995 Master Available on Website  
Format-DOC

Ocal Specification Guide-2004 Master Available on Website  
Format-PDF

Ocal Specification Guide-2004 Master Available on Website  
Format-DOC

### **Packaging**

Package in Units 20

T&B Sold in UOM Each

T&B Weight Per UOM 2.23 lbs. Each

### **Application Support**

T&B Sales Drawings wsd-000551

Ocal Specifications Available on Website

Recommended Installation Procedures Available on Website

NEMA Standards-RN 1 Available on Website

NEC 310-16 - Conductors for General Available on Website

Wiring

NEC Table 8 Available on Website

### **Notes**

Metric size designator (ANSI C80. 1-1994)

Dimensional values are of uncoated elbows.

### **Certifications**

RoHS Compliance No

### **Certifications**



File Nbr:  
E 46453

### **For further technical assistance, please contact us...**

Thomas & Betts - USA  
8155 T&B Blvd.  
Memphis, TN 38125  
www.tnb.com

T&B Technical Support  
MS 3B-50  
8155 T&B Blvd.  
Memphis, TN 38125

Hours: 7AM - 6PM CDT  
Monday-Friday  
Phone: (888) 862-3289  
Fax: (901) 252-1321  
Email:techsupport@tnb.com