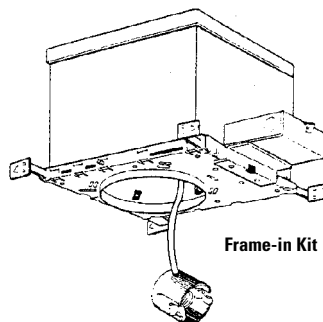
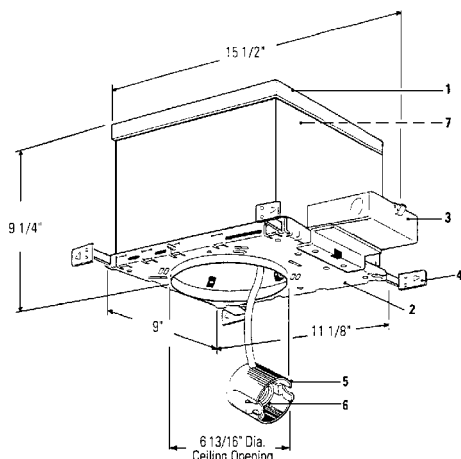


## Lytecaster Incandescent 6 3/4", Deep Insulated Ceiling, Frame-In Kit

Project:	Catalog No:	Mfg:
Location:	Fixture Type:	Qty:
Notes:		Lamps:



Reflector Trim

Complete Fixture consists of Reflector Trim & Frame-In Kit. Select each separately.

Frame-In Kit	Reflector Trims — See Individual Reflector Trim Specification Sheets										
	Open Downlight						Adjustable			Enclosed Diffuser	Wall Washer
Reflector	Cone	Satin Cone	Baffles	Basic White	Cross Blade	Recessed Line Volt.		Eyeball			
1100DAICM	1143	1112	1108*	1105†	1170M1	1132	1127*	1129*	1122	1121	1135
	1144	1113*	1110*	1105WH	1171		1127BNM	1129CD*	1122WH	1124	1135WH
	1144CD	1113BK*		1176			1127BK*	1129WH	1182	1126	1185
	1145	1113CD*		1176WH			1127WH	1129CL*		1128	1195
	1146	1113WH		1105BNM			1127CD*	1129BK		1177SH	1196
	1146CD							1138*		1178SH	1196CD
							1148*		1190		

\*Add NM to catalog number for Natural Metal flange finish.

### Features

- Housing:** Walls .032" aluminum. Cover .026" galvanized steel. UL listed for direct contact with thermal insulation. AirSeal® housing minimizes air leakage to less than 2 CFM at 1.57 PSF, which complies with Model Energy Code (Section 602.3.3) and the Washington State Energy Code (Section 502.4) and reduces heat loss and condensation in ceiling. Access door for inspection of junction box.
- Mounting Frame:** .036 (#20 ga.) galvanized steel. Accommodates all ceilings up to 1" thick. 3/8" deep integral lip. Four slots are positioned 90° apart to simplify alignment. Push-in/twist-out rotoclips hold reflector flush to ceiling.
- Junction Box:** 2" X 4" X 4": .063" (#14 ga.) galvanized steel. UL listed for maximum of 6 No. 12 ga., 90° C through branch circuit conductors. Quick release "L" shaped cover for outside access to wiring. Access door inside of housing allows easy inspection of wiring without removal of housing. Integral cable clamps permit attachment of nonmetallic, Romex® without the need for additional connectors.
- Mounting Bars:** .059" (#16 ga.) galvanized steel. Bars pivot for easy attachment and wire-in below ceiling line. Bars extend to accommodate 16" to 24" O.C. joist spacing and feature integral nail for secure attachment to wood construction. Attaches to T-bar ceilings without the need of accessories.
- Socket Housing:** Galvanized steel.

- Socket:** Porcelain medium base; nickel plated screw shell. Pre-wired with #18 ga. SF1 leads to junction box.
- Thermal Protector:** Meets NEC and UL requirements. Located inside housing.

### Options & Accessories

**Extra-Thick Ceiling Mounting Ring: 1967A** - up to 2" thick ceiling.

### Options & Accessories (continued)

**277V Remote Step-Down Transformer: 7997** - 277V down to 120V  
300W max. load

### Labels

UL Type I.C. (Suitable for Damp Locations);

Complies with Air Leakage Requirements as stated in the Model Energy Code, California Title 24 and the Washington State Energy Code.

AirSeal® is a registered trademark of Lightolier.

Romex® is a registered trademark of General Cable Industries Inc.