

Incandescent Composite Bullyte (BU4) Specification Sheet

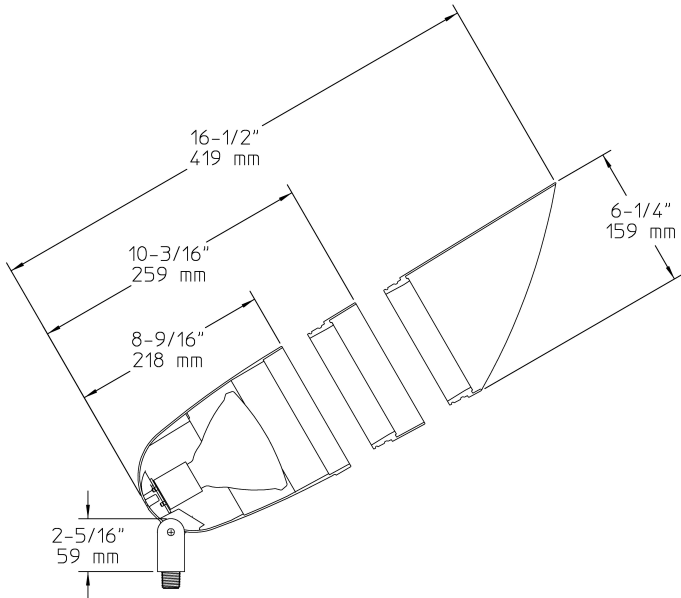
Project Name:	Location:	MFG: Philips Hadco
Fixture Type:	Catalog No.:	Qty:

Ordering Guide

Example: BU4 A

Product Code	BU4	Incandescent Composite Bullyte
Finish	A G H	Black Verde Bronze

*1 US and CAN: 150 Watt PAR 38 Incandescent without lens and shroud (Cannot use HID in open fixture).
 *2 US: 100 Watt PAR 38 INC/HID with shroud / CAN: 70 Watt PAR 38 INC/HID with shroud.



Specifications

HOUSING:

Fully rotatable shroud, gasketed, ULTEM® High Performance Polymer composite. Shroud is optional. One-piece injection molded ULTEM® High Performance Polymer composite. Fully-adjustable swivel arm with vibration-proof locking teeth. Gasketing is silicone. Fasteners are 300 series stainless steel. 1/2" NPS male threads to screw onto accessory mounting stake or junction box, sold separately.

FINISH:

Composite is textured, pressure formed, molded-in-color.

OPTICAL ASSEMBLY:

One-piece injection molded ULTEM High Performance Polymer with silicone O-ring gasket. Lens is siliconed into shroud. BU4, Shroud Optional. BUN4, BUW4, Shroud included.

LAMPING:

100W maximum PAR30/R30 or PAR38/R40 medium base lamp. 100W maximum MH medium base: E17 100W maximum MH medium base: PAR38 Lamp is not included. Lower wattage lamps are acceptable. HID PAR30 MH or MV acceptable with remote ballast (not included).

ELECTRICAL ASSEMBLY:

4kv rated porcelain mini-can base. Nickel-plated screw shell with center contact.

BALLAST:

Must order inground (IBH) or above ground (ABH) ballast housing separately.

WARRANTY:

Ten-year limited warranty.

CERTIFICATIONS:

ETL listed to U.S. safety standards for wet locations. cETL listed to Canadian safety standards for wet locations. Manufactured to ISO 9001:2008 Standards.

Width:

6 1/4" (159mm)

Length:

16 1/2" (419mm)

Max. Weight:

3.75 lb