



**Device Boxes, Covers & Accessories**

**T&B Catalog Number:**

LC-11

**UPC Number:**

04226973515

**Status:**

Obsolete

**Description:**

Single Gang Standard Lampholder Cover, Length 4-1/2 Inches, Width 2-13/16 Inches, Hole Size 1/2 Inch, Silver, Aluminum, One Hole Device Mount

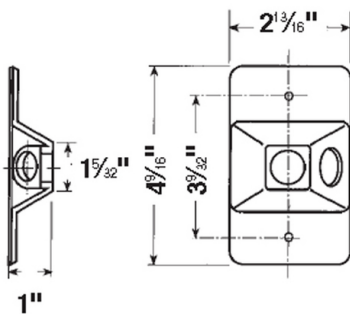
**Features**

Die Cast construction and industrial design combine to product a rugged protective enclosure for devices.

Clean cover edges provide good gasket sealing.

Precision cast and machined surfaces permit safer wire pulling.

Convenient mounting lugs for a variety of mounting methods and securely fastened mounting plates reduce costly call backs.



**General**

T&B Replacement Catalog Number	S201E
Material	Die Cast Aluminum
Finish	Aluminum lacquer
Color	Silver
Mounting	Device Mount
Number of Gangs	One

**Dimension Information**

Hub Size (inches)	1/2
-------------------	-----

**Packaging**

T&B Inner Pack	1
Package in Units	50
T&B Sold in UOM	Each
T&B Weight Per UOM	27.69 lbs. per 100

**Notes**

Rain tight when used with appropriate Red Dot covers.

**Certifications**

RoHS Compliance	No
-----------------	----

**Certifications**



File Nbr:  
E 28688

**For further technical assistance, please contact us...**

Memphis, TN 38125  
[www.tnb.com](http://www.tnb.com)

8155 T&B Blvd.  
Memphis, TN 38125

Phone: (888) 862-3289  
Fax: (901) 252-1321  
Email: [techsupport@tnb.com](mailto:techsupport@tnb.com)