



Project: Duston Downum



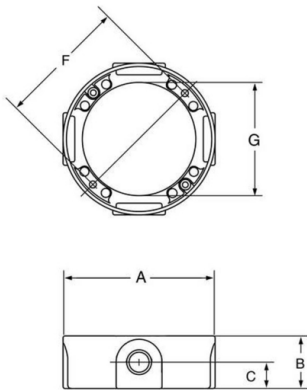
Device Boxes, Covers & Accessories
T&B Catalog Number:

UPC Number: S-48
 04226971848
Status: Active
Description:

Round Outlet Box, 15.8 Cubic Inches, Diameter 3-15/16 Inch, Depth 1-5/8 Inch, Hub Size 3/4 Inch, Silver, Aluminum, with 5 Outlets, Four on the Sides and One in Back, Mounting Lugs, and 4 Closure Plugs, Pack of 36

Features

- Precision cast and machined surfaces permit safer wire pulling.
- Clean cover edges provide good gasket sealing.
- Clear UL and cubic content markings speed approval by inspectors.
- Deep slotted stainless steel cover screws for faster installations.
- Spacious, accessible wiring chamber provides a convenient location to maintain or change a system, pull conductors and make splices
- Junction box for branch conduits.



General

Material	Die Cast Aluminum
Finish	Aluminum lacquer
Color	Silver
Volume (cu.in.)	17

Dimension Information

Diameter (inches)	4 1/8
Hub Size (inches)	3/4

Packaging

T&B Order Multiple	1
T&B Inner Pack	1
Package in Units	36
T&B Sold in UOM	Each
T&B Weight Per UOM	0.62 lbs. Each

Application Support

Product Overview	Available on Website
Product Brochure-Universal Flip-Lid Cover	Available on Website
D-Pak Merchandising System	Available on Website
Industry Cross Reference	Available on Website

Notes

Rain tight when used with appropriate Red Dot covers.

Certifications



File Nbr:
E 28688

For further technical assistance, please contact us...

Thomas & Betts - USA
8155 T&B Blvd.
Memphis, TN 38125
www.tnb.com

T&B Technical Support
MS 3B-50
8155 T&B Blvd.
Memphis, TN 38125

Hours: 7AM - 6PM CDT
Monday-Friday
Phone: (888) 862-3289
Fax: (901) 252-1321
Email: techsupport@tnb.com