

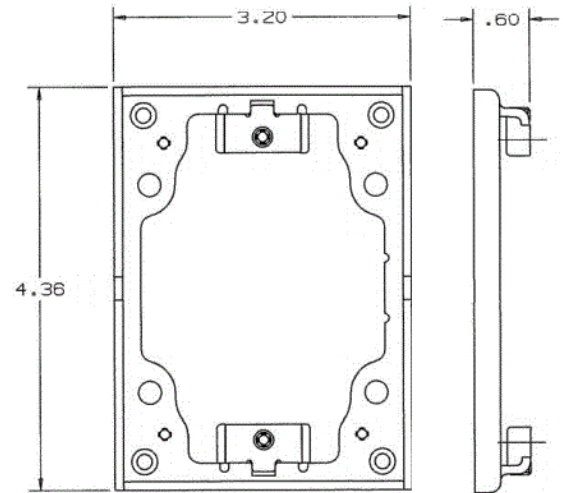


Ordering Information

Description	Material	UPC Number	Catalog Number
Rectangular Cover Flange, Aluminum	Aluminum	783585341408	SA5017A

Specifications

Accessory Type	Replacement Cover Flanges
For Use With	Rectangular Boxes
Box Type	Rectangular
Dimension	3.19" (81.0) x 4.38" (111.2)



Online Resources

[Customer Use Drawing](#)
[eCatalog](#)
[Installation Instructions](#)