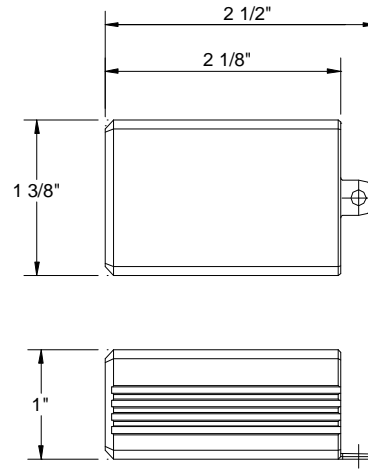


<b>CATALOG NUMBER</b>	<b>TYPE</b>
<b>PROJECT</b>	

**LOW VOLTAGE ELECTRONIC TRANSFORMER**

**MODEL EN-1275-R-AR**



Ordering Matrix		
Model	Finish	Accessories
[ ]	[ ]	
EN-1275-R-AR	BK	See table below*

Ordering Example (model): EN-1275-R-AR

Product Details	
<b>Description:</b>	Low Voltage electronic transformer designed to be used as a replacement part for factory installed transformers. Transformer may be safely loaded to 100% of stated capacity.
<b>Catalog Number Breakdown:</b>	EN = Advanced electronic circuitry 1275 = 12volt , 75watt R = Replacement AR = Auto-Reset
<b>Input:</b>	120V (50/60Hz)
<b>Output:</b>	12V
<b>Min Load:</b>	20W
<b>Max Load:</b>	75W
<b>Max Input Amp:</b>	0.625A (@ 120V)
<b>Transformer Frequency:</b>	20khz. True RMS meter is required to read the high frequency output.
<b>Listing:</b>	U.L. recognized component part, File Number E204239.
<b>Accessories:</b>	METB – Enclosure and connection box MTB-01 – Terminal Block

Specification Features
<ul style="list-style-type: none"> <li>U.L. 2108 listed electronic low voltage transformer.</li> <li>Built-in auto reset, soft start, short and overload circuit protection features. Soft start delayed start feature extends lamp life.</li> <li>Dimmable with electronic low voltage dimmers. Dimmers should always be installed on the primary side of the transformer.</li> <li>In the case of a system overload or short circuit the transformer will revert to a "hold" position and then automatically reset the system when the problem is solved. System protection is designed to last several hours.</li> <li>5 year W.A.C. Lighting product warranty.</li> </ul>