

523

## Lampholders

### Item Description

High-Output Base, Double Contact, Standard Fluorescent Lampholder, Snap-In, Plunger, Quickwire 18AWG Solid or Str Tinned - White



UPC Code: 07847710771

Country of Origin: Mexico - \*Eligible for  
ARRA funded projects > \$7,443,000



### Technical Information

#### Electrical Specifications

**Voltage:** 1000 Volt

**Rated Wattage:** 660W

#### Material Specifications

**Body Material:** Thermoset

**Base Material:** Thermoplastic

**Contact Material:** Silver-Plated Copper-Alloy

**Color:** White

**Availability:** Distribution

#### Mechanical Specifications

**Mounting Type:** Snap-In

**Panel Thickness:** .035 - .050

**Contact Type:** Plunger

**Termination:** Quickwire 18AWG Solid or Str Tinned

#### Product Features

**Lamp Base:** High-Output

**Lamp Contacts:** Double Contact

**Mounting Type:** Snap-In

**Panel Thickness:** .035 - .050

**Contact Type:** Plunger

**Termination:** Quickwire 18AWG Solid or Str Tinned

**Rated Wattage:** 660W

**Color:** White

**Standards and Certifications:** UL/CSA

**Warranty:** 1 Year Limited

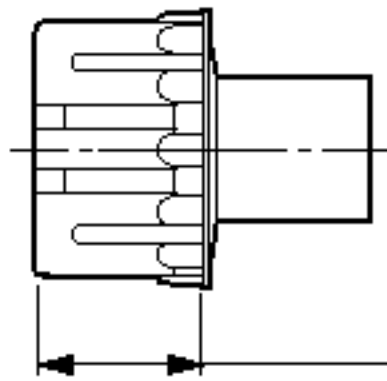
**Availability:** Distribution

#### Standards and Certifications

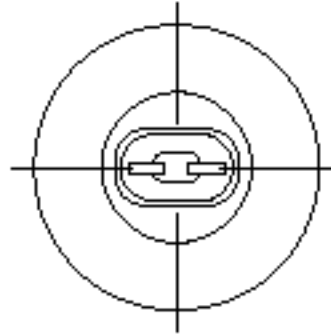
**UL Listed:** File E5833

**CSA Certified:** File LR-5863

# HIGH OUTPUT 800 MA & 1500 MA



0.94 (23.8)



94  $^{+3/32}_{-0}$  (2,387.6  $^{+2.4}_{-0}$ )

FOR 96" LAMP

**Cat. No. 523**

## SPECIFICATION SUBMITTAL

JOB NAME: <input type="text"/>	CATALOG NUMBERS: <input type="text"/>	
JOB NUMBER: <input type="text"/>	<input type="text"/>	<input type="text"/>

**Leviton Manufacturing Co., Inc.**

201 North Service Road, Melville, NY 11747

Telephone: 1-800-323-8920 · FAX: 1-800-832-9538 · Tech Line (8:30AM-7:30PM E.S.T. Monday-Friday): 1-800-824-3005

**Leviton Manufacturing of Canada, Ltd.**

165 Hymus Boulevard, Pointe Claire, Quebec H9R 1E9 · Telephone: 1-800-469-7890 ·

FAX: 1-800-824-3005 · [www.leviton.com/canada](http://www.leviton.com/canada)

**Leviton S. de R.L. de C.V.**

Lago Tana 43, Mexico DF, Mexico CP 11290 · Tel.: (+52)55-5082-1040 · FAX: (+52)5386-1797 · [www.leviton.com.mx](http://www.leviton.com.mx)

**Visit our Website at: [www.leviton.com](http://www.leviton.com)**

© 2012-2017 Leviton Manufacturing Co., Inc. All rights reserved. Subject to change without notice.

**Leviton has a global presence.**

If you would like to know where your local Leviton office is located please go to: [www.leviton.com/international/contacts/](http://www.leviton.com/international/contacts/)



*\*Buy American Compliant Logo -- The American Recovery And Reinvestment Act of 2009 ("ARRA") provides federal grants and loans for projects throughout the country. Section 1605 of the Act, named the "Buy American" provision, requires that certain materials and manufactured products used in projects funded by the Act be manufactured in the United States. The appearance of the Recovery Act Logo in relation to a Leviton product is only intended to reflect that such product may be used in an ARRA funded project. It does not mean that such product or Leviton is sponsored or endorsed by, or that Leviton receives funds from, the federal government or the Recovery Accountability and Transparency Board. Nothing in Leviton's use of the logo is intended to suggest anything regarding the requirements for funding under ARRA.*