

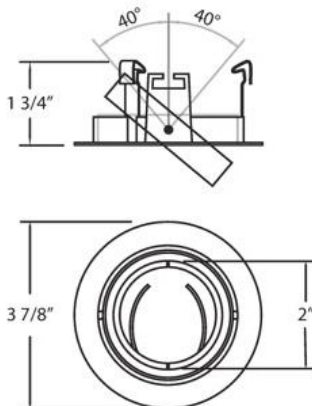
TE90, 3-INCH GIMBAL TRIM



Options Available

ITEM NO.	FINISH	SHADE
TE90-01	Black	
TE90-02	White	
TE90-03	Gold	
TE90-04	Satin Nickel	
TE90-05	Chrome	
TE90-06	Antique Brass	
TE90-08	Satin Copper	
TE90-09	Bronze	

Die cast gimbal trim. Minimal diameter to reduce the appearance on the ceiling. Front re-lamping with twist-and- lock mechanism. Vertically adjustable 0° to 40°; rotates 360° within the housing. 3 inch housing required, sold separately.



Product Details

Item No.	:	TE90-02
Finish	:	White
Diameter	:	3.88"
Height	:	1.75"
Est. Weight	:	0.39 lbs
Approval	:	



BULB DETAILS

No. of Bulbs	:	1
Bulb Type	:	MR16
Bulb Voltage	:	12V
Bulb Wattage	:	50W
Bulb Socket	:	MR16
Input Voltage	:	120V
Dimmable	:	Yes
Bulb Included	:	No
No. of Bulbs	:	1
Bulb Type	:	GU10
Bulb Voltage	:	120V
Bulb Wattage	:	50W
Bulb Socket	:	GU10
Input Voltage	:	120V
Dimmable	:	Yes
Bulb Included	:	No

TECHNICAL DETAILS

Vertical Adjustment	:	40 degrees
---------------------	---	------------

HOUSING DETAILS

HOUSING #	APPLICATION	CUT HOLE	LENGTH	WIDTH	LAMPING
GU3-00	Remodel	3.25"	12.625"	3.5"	
GUC3-00	New Construction	3.25"	15"	25.5"	50W GU10 120V
GUI3-00	Insulated Ceiling Airtight	3.25"	15"	25.5"	
TERE-00	Remodel	3.25"	13.125"	3.5"	
VHG-4N01-00	New Construction		15.625"	6.125"	50W MR16 12V
VHG-4I01-00	Insulated Ceiling		15.625"	6.125"	

PROJECT INFORMATION

Job Name: Date: Type:

Comments: