

FEATURES & SPECIFICATIONS

INTENDED USE — Square straight aluminum general purpose pole for up to 35 foot mounting heights.

CONSTRUCTION — Shaft: Made from extruded 6063-T6 or 6061-T6 aluminum alloy, square tube is uniform in cross-section down length of shaft with no taper.

Hand hole: Reinforced rectangular hand hole is located 18" above base, 4" poles have 2" x 4" hand hole; 5" and 6" poles have 2.5" x 4" hand hole). Hand-hole cover plate made from aluminum alloy.

Hardware: Stainless steel

Top cap: Removable top cap provided with drill-mount poles.

Bolt covers: Nut cover discs provided. Optional cast aluminum base cover available.

FINISH — Must specify finish.

GROUNDING — Provision located inside hand hole rim. Grounding hardware is not included (provided by others).

ANCHOR BOLTS — Fabricated from carbon steel bar with minimum-yield strength of 55,000 psi. Upper portion of anchor bolt is galvanized per ASTM A-153. Each anchor bolt is furnished with two hex nuts and two flat washers.

WARRANTY — 1-year limited warranty. Complete warranty terms located at:

www.acuitybrands.com/CustomerResources/Terms_and_conditions.aspx

NOTE: Actual performance may differ as a result of end-user environment and application.

Specifications subject to change without notice.

Catalog Number
Notes
Type



Anchor Base Poles

SSA

**SQUARE STRAIGHT ALUMINUM
FLORIDA RATINGS**

ORDERING INFORMATION

Lead times will vary depending on options selected. Consult with your sales representative.

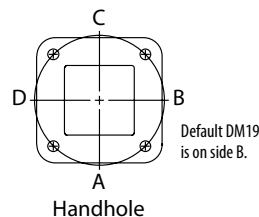
Example: SSA 20 4C DM19 BA

SSA Series	Nominal fixture mounting height	Nominal shaft base size/wall thickness	Mounting ¹	Options	Finish ¹⁰
SSA	(See technical information table for complete ordering information.) 8'-50' (for 1/2 ft increments, add -6 to the pole height. Ex: 20-6 equals 20ft 6in.)	(See technical information table for complete ordering information.) 4C 4" (.125") 5C 5" (.125") 5E 5" (.156") 5G 5" (.188") 6E 6" (.156") 6G 6" (.188") 7E 7" (.156") 8E 8" (.156") 8G 8" (.188") 8J 8" (.250") 9E 9" (.156") 9G 9" (.188") 10G 10" (.188") 10J 10" (.250")	<u>Tenon mounting</u> PT Open top T20 2-3/8" O.D. (2" NPS) T25 2-7/8" O.D. (2-1/2" NPS) T30 3-1/2" O.D. (3" NPS) ² T35 4" O.D. (3-1/2" NPS) ² <u>Drill mounting</u> ³ DM19 1 at 90° DM28 2 at 180° DM28PL 2 at 180° with one side plugged DM29 2 at 90° DM39 3 at 90° DM49 4 at 90° <u>CSX/DSX/AERIS™/OMERO™/HLA/KAX Drill mounting</u> ³ DM19AS 1 at 90° DM28AS 2 at 180° DM29AS 2 at 90° DM39AS 3 at 90° DM49AS 4 at 90° <u>AERIS™ Suspend drill mounting</u> ^{3,4} DMxxAST_ <u>OMERO™ Suspend drill mounting</u> ^{3,4} DMxxMRT_	<u>Shipped installed</u> L/AB Less anchor bolts (Include when anchor bolts are not needed) VD Vibration damper TP Tamper proof H1-18xx Horizontal arm bracket (1 fixture) ^{5,6} FDLxx Festoon outlet less electrical ⁵ CPL12xx 1/2" coupling ⁵ CPL34xx 3/4" coupling ⁵ CPL1xx 1" coupling ⁵ NPL12xx 1/2" threaded nipple ⁵ NPL34xx 3/4" threaded nipple ⁵ NPL1xx 1" threaded nipple ⁵ EHHxx Extra handhole ^{5,7} MAEX Match existing ⁸ USPOM United States point of manufacture ⁹ <u>Shipped separately (replacement kit available)</u> (blank) NCDISC Nut cover discs FBC Full base cover (spun aluminum) (blank) TC Top cap (with drill-mount poles) (blank) HHC Handhole cover	<u>Standard colors</u> DDB Dark bronze DWH White DBL Black DMB Medium bronze DNA Natural aluminum BA Brushed aluminum <u>Classic colors</u> DSS Sandstone DGC Charcoal gray DTG Tennis green DBR Bright red DSB Steel blue <u>Class 1 architectural anodized</u> ABL Black ADB Dark bronze ANA Natural <u>Architectural colors (powder finish)</u> ¹⁰

NOTES

- When ordering tenon mounting and drill mounting for the same pole, follow this example: DM28/T20. The combination includes a required extra handhole.
- 3-1/2" and 4" tenons available on 5" and 6" shafts only.
- Refer to the fixture spec sheet for the correct drilling template pattern and orientation compatibility.
- Insert "1" or "2" to designate fixture size; e.g. DM19AST2.
- Specify location and orientation when ordering option. For 1st "x": Specify the height in feet above base of pole. *Example: 5ft = 5 and 20ft = 20*
For 2nd "x": Specify orientation from handhole (A,B,C,D) Refer to the Handhole Orientation diagram on this page.
- Horizontal arm is 18" x 2-3/8" O.D. tenon standard.
- Combination of tenon-top and drill mount includes extra handhole.
- Must add original order number
- Use when mill certifications are required.
- Finish must be specified. Additional colors available; see www.lithonia.com/archcolors or Architectural Colors brochure (Form No. 794.3).

HANDHOLE ORIENTATION



IMPORTANT INSTALLATION NOTES:

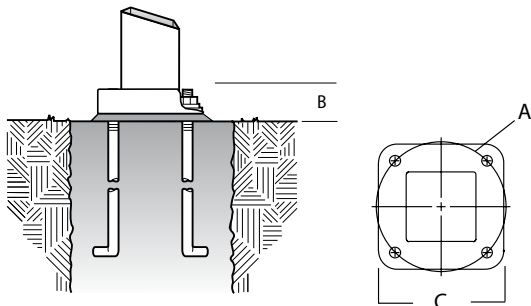
- Do not erect poles without having fixtures installed.
- Factory-supplied templates must be used when setting anchor bolts. Lithonia Lighting will not accept claim for incorrect anchorage placement due to failure to use factory template.
- If poles are stored outside, all protective wrapping must be removed immediately upon delivery to prevent finish damage.
- Lithonia Lighting is not responsible for the foundation design.

SSA Square Straight Aluminum Poles, Florida Ratings

TECHNICAL INFORMATION								
Catalog Number	Nominal shaft length (ft.)*	Pole Shaft Size (in x ft)	Wall Thickness (in)	EPA (Effective Projected Area) expressed in Ft. ² , Maximum 3 second gust per AASHTO 2009, FBC			Bolt Size (in. x in. x in.)	Approximate ship (lbs.)
				Maximum weight (Lbs.)	Max EPA 130 mph (Side Mount)	Max EPA 150 mph (Side Mount)		
SSA 8 4C	8	4 x 8	0.125	100	5.4	3.3	3/4 x 18 x 3	32
SSA 10 4C	10	4 x 10	0.125	100	3	1.2	3/4 x 18 x 3	37
SSA 12 4C	12	4 x 12	0.125	100	1	0	3/4 x 18 x 3	40
SSA 14 4C	14	4 x 14	0.125	0	0	0	3/4 x 18 x 3	50
SSA 15 4C	15	4 x 15	0.125	0	0	0	3/4 x 18 x 3	52
SSA 16 4C	16	4 x 16	0.125	0	0	0	3/4 x 18 x 3	54
SSA 16 4G	16	4 x 16	0.188	0	0	0	3/4 x 30 x 3	74
SSA 16 5G	16	5 x 16	0.188	100	2.2	0	3/4 x 30 x 3	83
SSA 18 4C	18	4 x 18	0.125	0	0	0	3/4 x 18 x 3	57
SSA 18 4G	18	4 x 18	0.188	0	0	0	3/4 x 30 x 3	80
SSA 18 5G	18	5 x 18	0.188	0	0	0	3/4 x 30 x 3	91
SSA 20 4C	20	4 x 20	0.125	0	0	0	3/4 x 18 x 3	62
SSA 20 4G	20	4 x 20	0.188	0	0	0	3/4 x 30 x 3	85
SSA 20 5G	20	5 x 20	0.188	0	0	0	3/4 x 30 x 3	107
SSA 20 6G	20	6 x 20	0.188	0	0	0	1 x 36 x 4	155
SSA 20 6J	20	6 x 20	0.250	100	1.9	0	1 x 36 x 4	202
SSA 25 5G	25	5 x 25	0.188	0	0	0	3/4 x 30 x 3	130
SSA 25 6G	25	6 x 25	0.188	0	0	0	1 x 36 x 4	180
SSA 25 6J	25	6 x 25	0.250	0	0	0	1 x 36 x 4	224
SSA 30 6G	30	6 x 30	0.188	0	0	0	1 x 36 x 4	210
SSA 30 6J	30	6 x 30	0.250	0	0	0	1 x 36 x 4	258
SSA 32 6J	32	6 x 32	0.250	0	0	0	1 x 36 x 4	272
SSA 35 6J	35	6 x 35	0.250	0	0	0	1 x 36 x 4	294
SSA 35 7J	35	6.75 x 35	0.250	0	0	0	1 x 36 x 4	290

EPA values are based upon the fixture being mounted 0 ft. above the pole top and 2 ft. 0 in. eccentric to the pole center line.

*For 1/2 ft increments, add .6 to the pole height. Ex: 20-6 equals 20ft 6in.



POLE DATA					
Shaft base size	Bolt circle A	Bolt projection B	Base square C	Template description	Anchor bolt description
4"C	8.5" – 9.625"	3.125"	9.938"	ABTEMPLATE PJ50045	AB18-0
4"G	8.5" – 9.625"	3.125"	9.938"	ABTEMPLATE PJ50045	AB30-0
5"	10.5" – 11.5"	3.25"	11.563"	ABTEMPLATE PJ50046	AB30-0
6"	12" – 13"	4"	12.25"	ABTEMPLATE PJ50044	AB36-0
7"	14.625"	4.125"	15"	ABTEMPLATE PJ50130	AB36-0