

FEATURES & SPECIFICATIONS

INTENDED USE

Recessed Emergency Gimbal Approved for use with air handling plenums. Used in dropped ceiling applications where emergency lighting is needed.

CONSTRUCTION

All-metal housing and gimbal assembly

Matte white baked enamel finish

Low profile pilot light and test switch

OPTICS

High-output 8-watt halogen lamp

Lamp adjusts in two planes to 26°

ELECTRICAL

Dual-voltage input capability (120V or 277V) Low-voltage disconnect prevents excessively deep discharge that permanently damages the battery. Current limiting charger maximizes battery life and minimizes energy consumption. Short-circuit protection. Current limiting charger circuitry protects printed circuit board from shorts. Thermal protection senses circuit, temperature and adjusts charge current to prevent overheating and charger failure. Regulated charge voltage maintains constant charge voltage over a wide range of line voltages. Prevents over/under charging that shortens battery life and reduces capacity. Brownout protection.

Battery: Sealed, maintenance-free lead-acid (SLA) battery standard Automatic recharge after a 90-minute discharge.

AC/LVD allows battery connection before AC power is applied and prevents battery damage from deep discharge. Unit should not be left in rest mode for more than 72 hours.

INSTALLATION

Provided standard with bar hangers.

LISTINGS

UL Listed. Non-IC recessed mounting. Meets UL924, NFPA 101 (current Life Safety Code) and NFPA 70-NEC.

WARRANTY

3-year limited warranty. Complete warranty terms located at

www.acuitybrands.com/CustomerResources/Terms_and_conditions.aspx

Note: Actual performance may differ as a result of end-user environment and application.

Specifications subject to change without notice.

Catalog Number
Notes
Type

Emergency Recessed Gimbal

ELRG

Emergency Operation



ORDERING INFORMATION

All configurations of this product are considered "standard" and have short lead times.

Example: ELRG

ELRG	
Family	
ELRG	Emergency lighting recessed gimbal

ELRG Emergency Recessed Gimbal

SPECIFICATIONS

ELECTRICAL			
Primary Circuit			
Supply voltage	AC input watts	Max. amps	VA
120	5.8	.052	6.2
277	5.9	.023	6.4

BATTERY				
Sealed Lead-Calcium				
Voltage	Shelf life ¹	Typical life ¹	Maintenance ²	Optimum temperature ³
6	12 Months	5-7 years	none	60° - 90°F (16° - 32°C)

Notes

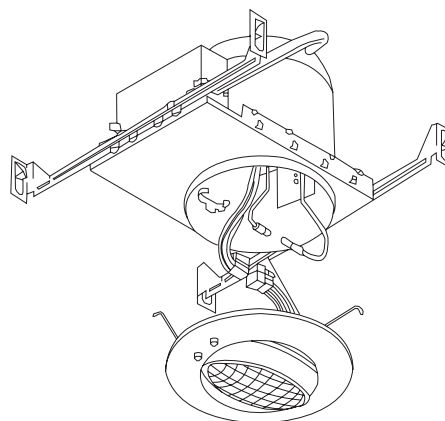
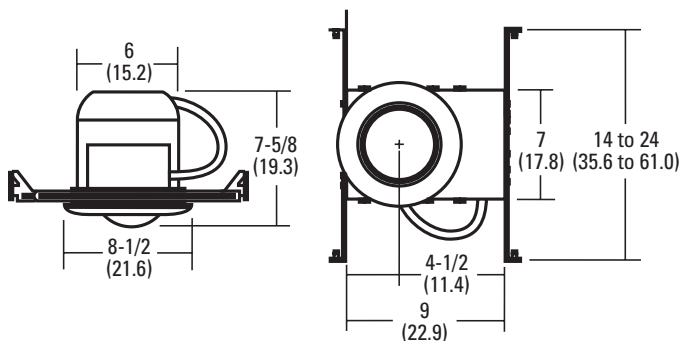
- At 77°F (25°C).
- All life safety equipment, including emergency lighting for path of egress must be maintained, serviced, and tested in accordance with all National Fire Protection Association (NFPA) and local codes. Failure to perform the required maintenance, service, or testing could jeopardize the safety of occupants and will void all warranties.
- Optimum ambient temperature range where unit will provide capacity for 90 minutes. Higher and lower temperatures affect life and capacity.

DIMENSIONS

All dimensions are inches (centimeters).

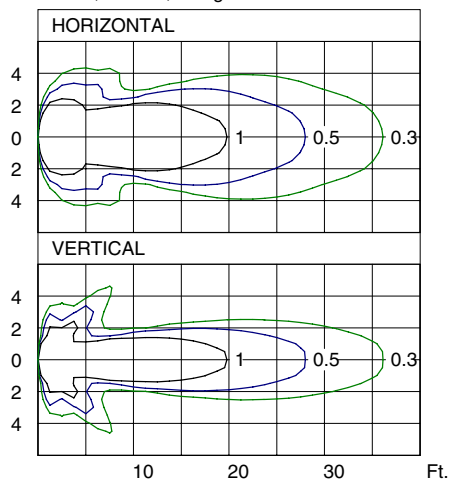
Weight: 6.5 lbs (3 kgs)

Ceiling opening dia.: 6 (15.2)



PHOTOMETRICS

ELRG
6-volts, 8 watts, halogen



Replacement Lamp # 785