

Straight Blade Devices
 50A, 125/250V, 3 Pole, 3 Wire Non-Grounding
 Single Receptacle

HUBBELL



Features

- Sequenced contacts assure protection
- Catalog number, ratings and certifications molded in face
- One piece design power and ground contacts

Ordering Information

| Description | Device Color | UPC | Catalog Number |
|----------------------------|--------------|--------------|----------------|
| Receptacle, black phenolic | Black | 783585015125 | HBL7962 |



Listings

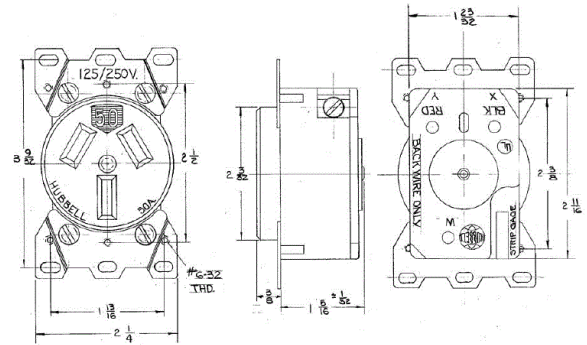
UL Listed File E2186
 CSA Certified
 NEMA® WD-6 Compliant

Specifications

| | |
|----------------|------------------------------------|
| Housing | Reinforced Thermoplastic Polyester |
| Mounting Plate | .062 in. (1.5) Pre-Plated Steel |
| Brass | Ground Shunt |
| Brass | Box Terminals |

Performance

| | |
|-------------------------|----------------------------------------------------------|
| Electrical | |
| Current Interrupting | Certified for current interrupting at full rated current |
| Dielectric Voltage | Withstands 2,000V minimum |
| Mechanical | |
| Product Identification | Ratings are a permanent part of the device |
| Terminal Accommodation | #12 AWG through #4 AWG copper wire only |
| Terminal Identification | Terminals identified in accordance with UL 498 and CSA |
| Environmental | |
| Flammability | UL 94 V-0 |
| IP Suitability | IP20 |
| Operating Temperatures | Maximum continuous 75°C; minimum -40°C (w/o impact) |



Accessories

Wallplate or Weatherproof Cover 2.16" Opening

Resources

Customer Use Drawing
 eCatalog

Dimensions in Inches (mm)

Hubbell Wiring Device-Kellems • Hubbell Incorporated (Delaware) • 40 Waterview Drive • Shelton, CT 06484

Phone (800) 288-6000 • Fax (800) 255-1031 • Specifications subject to change without notice.

