

NO IMAGE AVAILABLE

Project:

Type:

Prepared By:

Date:

Die cast aluminum visor with integral metal grill and tempered glass lens for maximum glare reduction and lamp protection. Guard protects lamp from damage and vandalism. Die cast aluminum.

Color: White

Weight: 1.6 lbs

Technical Specifications

Construction

Material:

Die cast aluminum

Visor and Guard:

Designed to fit the H101 and HB101

Stealth Accessory:

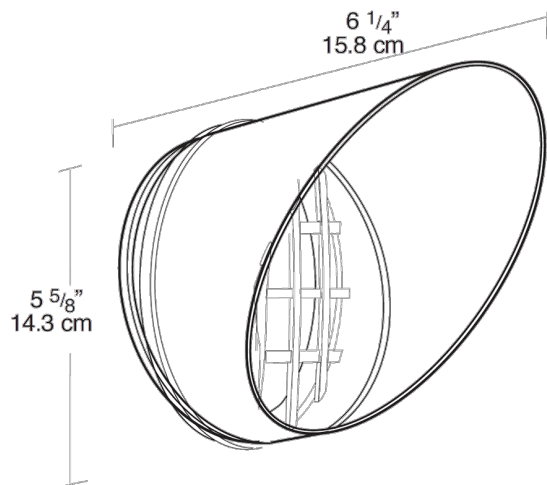
Guards also fit RAB's Stealth Bullet and Bell Flood Kits. [See Stealth Page.](#)

Other

Buy American Act Compliance:

RAB values USA manufacturing! Upon request, RAB may be able to manufacture this product to be compliant with the Buy American Act (BAA). Please contact customer service to request a quote for the product to be made BAA compliant.

Dimensions



Features

Die cast aluminum

Integral metal grill

Glass lens for maximum glare reduction and lamp protection