

2710-IG



Color:  Orange

UPC Code: 07847780962

Country Of Origin: Mexico

*Eligible for ARRA funded projects > \$7,443,000

NEMA:
L14-30R



2710-IG

Brand Features

Leviton's Industrial Grade Locking Devices are built to provide unparalleled quality and superior performance in the most severe industrial settings. Leviton combines the best materials available with superior production standards to produce a broad selection of Locking Devices of unmatched flexibility and dependability.

Item Description

30 Amp, 125/250 Volt, NEMA L14-30R, 3P, 4W, Flush Mtg Locking Receptacle, Industrial Grade, Isolated Ground, V-0-MAX - ORANGE

Technical Information

AC Horsepower Ratings

At Rated Voltage: 2 HP L-L / 2 HP L-N

Electrical Specifications

Dielectric Voltage: Withstands 2000V per UL498

Grounding: Isolated Ground

Temperature Rise: Max 30C after 250 cycles OL at 200 percent rated current

Voltage: 125/250 Volt

Amperage: 30 Amp

Current Limiting: Full Rated Current

Wire: 4

Pole: 3

Environmental Specifications

Operating Temperature: -40C to 60C

Flammability: Rated V-0 per UL94

Material Specifications

Strap Material: Nickel-Plated Brass

Face Material: Valox

Body Material: Valox 357

Ground Clips: Nickel-Plated Brass

Terminal Screws: Chromated Brass

Ground Contacts: Brass

Color: Orange

Cover Material: Valox 357

Line Contacts: Brass

Grounding Screw: Chromated Brass

Terminal Clamps: Zinc-Plated Brass

Base Material: Valox

Mechanical Specifications

Product ID: Ratings and NEMA I.D. permanently marked on device

Terminal ID: Marked on Device

Termination: Back & Side

Terminal Accom.: 14-8 AWG

Product Features

Face Material: Valox

Warranty: Lifetime Limited

Color: Orange

Base Material: Valox

NEMA: L14-30R

Standards and Certifications

CSA: C22.2 No. 42

UL: 498

ANSI: C-73

NOM: 057

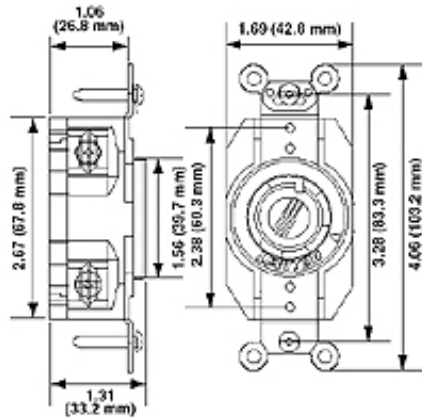
UL Fed Spec: W-C-596

NEMA: WD-1 & WD-6

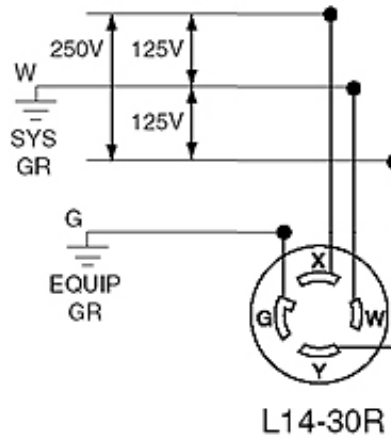
Warranty

Warranty: Lifetime Limited

Dimensional Diagram



Wiring Diagram



SPECIFICATION SUBMITTAL

JOB NAME:	CATALOG NUMBERS:	
<input type="text"/>	<input type="text"/>	<input type="text"/>
JOB NUMBER:	<input type="text"/>	<input type="text"/>

Leviton Manufacturing Co., Inc.

201 North Service Road, Melville, NY 11747

Teléfono: +1-800-323-8920 · FAX: +1-800-832-9538 · Tech Line (8:30AM-7:30PM E.S.T. Monday-Friday): +1-800-824-3005

Leviton Manufacturing of Canada, Ltd.

165 Hymus Boulevard, Pointe Claire, Quebec H9R 1E9 · Telephone: +1-800-469-7890 ·

FAX: +1-800-824-3005 · www.leviton.com/canada

Leviton S. de R.L. de C.V.

Lago Tana 43, Mexico DF, Mexico CP 11290 · Tel.: (+52)55-5082-1040 · FAX: (+52)5386-

1797 · www.leviton.com.mx

Visit our Website at: www.leviton.com

© 2012 Leviton Manufacturing Co., Inc. Todos los derechos reservados. Subject to change without notice.

Leviton has a global presence.

If you would like to know where your local Leviton office is located please go to:

www.leviton.com/international/contacts/



**Leviton is the smart choice, providing the most comprehensive range of solutions to meet the needs of today's residential, commercial and industrial buildings. Leveraging more than a century of experience, Leviton helps customers create sustainable, intelligent environments through its electrical wiring devices, network and data center connectivity solutions, and lighting energy management systems. From switches and receptacles, to daylight harvesting controls, networking systems, and equipment for charging electric vehicles, Leviton solutions help customers achieve savings in energy, time and cost, all while enhancing safety.*