

IEC Pin and Sleeve

Accessories

Back Box

HUBBELL



Ordering Information

| | | |
|--|----------------------------|---------------------------------|
| Description 15° angle non-metallic back box, 100 & 125A IEC Pin & Sleeve, 1 1/2" Hub | UPC 783585390048 | Catalog Number BB100N |
|--|----------------------------|---------------------------------|

Color
Gray



Standards

UL Raintight and External Icing Test
CSA Certified

Specifications

| | |
|---------------------------------|-----------------------|
| Accessory Item | Non-Metallic Back Box |
| Box Hub Size | 1 1/2 in. NPT |
| Angle | 15 Degree Angle |
| IEC Pin & Sleeve Accessory Type | 100 and 125A |

Performance

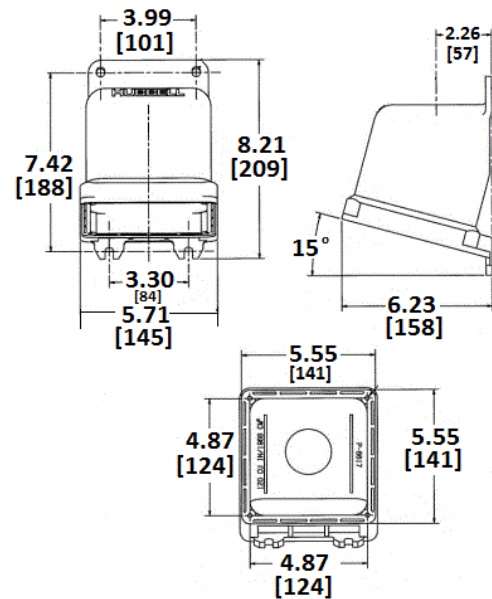
| | |
|----------------------|------------------|
| Environmental | |
| Moisture Resistance | IP67 Suitability |

Accessories

| | |
|--------------------------------|--|
| Receptacle/Inlet Accommodation | 100 and 125A IEC Pin & Sleeve |
|--------------------------------|--|

Online Resources

Customer Use Drawing
eCatalog
Installation Instructions



Dimensions in Inches (mm)

Hubbell Wiring Device-Kellems • Hubbell Incorporated (Delaware) • 40 Waterview Drive • Shelton, CT 06484

Phone (800) 288-6000 • Fax (800) 255-1031 • Specifications subject to change without notice.

