



Date: \_\_\_\_\_  
Type: \_\_\_\_\_  
Firm Name: \_\_\_\_\_  
Project: \_\_\_\_\_



# eW Downlight Powercore gen2

Lamp Module, 3500 K, 65° Beam Angle

Surface-mounted LED downlight for general and accent lighting

eW Downlight Powercore gen2 is a low-profile, surface-mounted LED downlight for basic white general illumination. This easy-to-install, dimmable fixture uses standard mounting and direct line voltage connection without the need for remote transformers. Ideally suited for lobbies, corridors, elevators, conference rooms, common spaces, kitchenettes, and interiors in commercial, hospitality, retail, and residential environments, eW Downlight Powercore gen2 is especially appropriate where recessed installation is not possible.

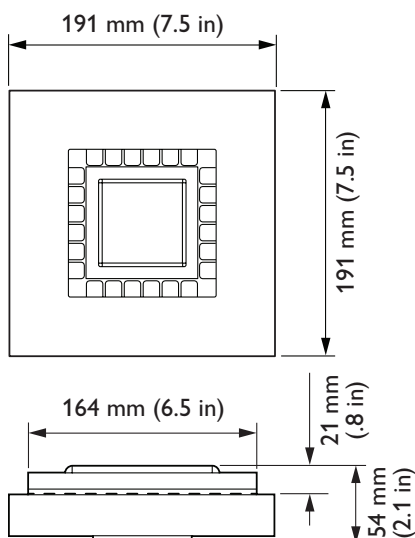
# eW Downlight Powercore gen2

## Surface-mounted LED downlight for general and accent lighting

- Superior light output and quality—eW Downlight Powercore gen2 outputs up to 902 lumens and delivers up to 31 fc (331 lx) at a distance of 3 m (10 ft), easily meeting recommended illuminance targets for the full range of downlighting applications. eW Downlight Powercore gen2 also offers a consistent and pleasing CRI of over 81 across all color temperatures and beam angles.
- Four available color temperatures—2700 K and 3000 K versions are appropriate for intimate, open environments such as restaurants, hotel lobbies, and homes, while the 3500 K and 4000 K versions are perfect for lighting clean and efficient spaces such as offices, classrooms, and hospitals.
- Two available beam angles—Available with a 30° beam angle for high ceilings or spotlighting an area or object, and a 65° beam angle for floodlighting and low-ceiling environments such as corridors.
- Integrates patented Powercore technology—Powercore technology rapidly, efficiently, and accurately controls power output to eW Downlight Powercore gen2 fixtures directly from line voltage, eliminating the need for transformers or other external power supplies.
- Simple, standard installation—Contractor-friendly installation uses standard wiring and mounting to dramatically simplify installation and help lower total system cost.
- Flexible mounting options—Mounts to junction box or directly to a flat mounting surface where allowed. Slotted through-holes in the mounting plate provide adjustment in surface mount applications. Swivel bracket for 120 and 277 VAC units allows precise adjustment during installation.
- Four available voltages—Power modules of 100, 120, 220 – 240, and 277 VAC for consistent installation and operation around the world.
- Unobtrusive, sleek design—Low-profile fixture is ideal for surface mounting and semi-recessed applications. Metal bezel is available in white, black, or brushed aluminum. Custom bezel colors are also available.
- Dimming capability—Patented DIMand technology offers smooth dimming capability with selected commercially available reverse-phase ELV-type dimmers.

For detailed product information, please refer to the eW Downlight Powercore gen2 Product Guide at [www.colorkinetics.com/ls/essentialwhite/ewdownlight/](http://www.colorkinetics.com/ls/essentialwhite/ewdownlight/)

## Dimensions



# Specifications

Due to continuous improvements and innovations, specifications may change without notice.

Date: \_\_\_\_\_  
Type: \_\_\_\_\_  
Firm Name: \_\_\_\_\_  
Project: \_\_\_\_\_



## eW Downlight Powercore gen2 Lamp Module, 3500 K, 65° Beam Angle

### Output

Color Temperature*	3500 K
Beam Angle	65°
Lumens†	863
Efficacy	60.3
CRI	83

### Electrical

Input Voltage	100/120/220–240/277 VAC, 50/60 Hz
Power Consumption <i>(Maximum at full output, steady state)</i>	15 W
Power Factor	0.98 @ 120 VAC

### Control

#### Dimmer‡

Compatible with selected commercially available reverse-phase ELV-type dimmers

### Lumen Maintenance

Threshold§	Ambient Temperature	Reported¶	Calculated¶
L <sub>70</sub>	25° C	60,000	

### Physical

Dimensions <i>(Height x Width x Depth)</i>	191 x 191 x 54 mm (7.5 x 7.5 x 2.1 in)
Weight	1.4 kg (3.1 lb)
Housing Material	Die-cast aluminium chassis and bezel with black, white or brushed aluminium finish
Lens	Clear polycarbonate
Fixture Connections	152 mm (6 in) flying leads (100/120/277 VAC), Terminal block (220–240 VAC)
Temperature Ranges	-20° – 50° C (-4° – 122° F) Operating -20° – 50° C (-4° – 122° F) Startup -40° – 80° C (-40° – 176° F) Storage
Humidity	0 – 95%, non-condensing

### Certification and Safety

Approbation	UL/cUL, FCC Class B, CE, CCC, C-Tick, SAA
Environment	Dry Location, IP50



\* Correlated color temperature (CCT) complies with ANSI C78.377-2008 for the chromaticity of solid state lighting products.

† Lumen output measurements comply with IES LM-79-08 testing procedures.

‡ Refer to [www.philipscolorkinetics.com/support/appnotes/](http://www.philipscolorkinetics.com/support/appnotes/) for more information.

§ L<sub>xx</sub> = xx% lumen maintenance (when light output drops below xx% of initial output). All values are given at B50, or the median value where 50% of the LED population is better than the reported or calculated lumen maintenance measurement.

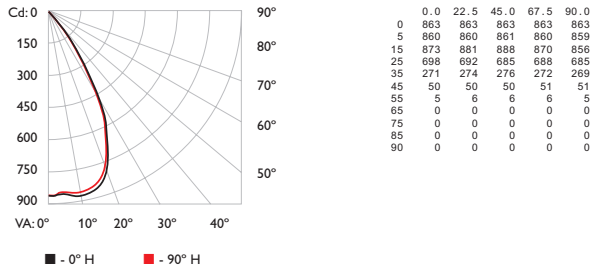
¶ Lumen maintenance figures are based on lifetime prediction graphs supplied by LED source manufacturers. Whenever possible, figures use measurements that comply with IES LM-80-08 testing procedures. In accordance with TM-21-11, Reported values represent the interpolated value based on six times the LM-80-08 total test duration (in hours). Calculated values represent time durations that exceed six times the total test duration.

# eW Downlight Powercore gen2 Photometrics 3500 K, 65° Beam Angle

Photometric data is based on test results from an independent NIST traceable testing lab. IES data is available at [www.philipscolorkinetics.com/support/ies](http://www.philipscolorkinetics.com/support/ies).

Beam Angle	65°
LED	3500 K
Lumens	863
Efficacy	60.3

## Polar Candela Distribution



## Illuminance at Distance

	Center Beam fc	Beam Width
3.0 ft	96 fc	3.5 ft 3.4 ft
6.0 ft	24 fc	7.1 ft 6.9 ft
9.0 ft	11 fc	10.6 ft 10.3 ft
12.0 ft	6 fc	14.1 ft 13.8 ft
15.0 ft	4 fc	17.7 ft 17.2 ft
18.0 ft	3 fc	21.2 ft 20.6 ft

8.9 m (29.4 ft)  
1 fc maximum distance  
Vert. Spread: 61.0°  
Horiz. Spread: 59.7°

## Coefficients Of Utilization - Zonal Cavity Method

RC	Effective Floor Cavity Reflectance: 20%																	
	80			70			50			30			10			0		
RW	70	50	30	10	70	50	30	10	50	30	10	50	30	10	50	30	10	0
0	1191	1911	1911	1191	1161	1611	1611	1161	1111	1111	1111	1061	1061	1061	1021	1021	1021	100
1	1141	1111	1081	1061	1111	1091	1071	1051	1051	1031	1011	1011	100	98	98	96	95	94
2	1081	103	99	96	1061	102	98	95	98	95	93	95	93	91	93	91	89	87
3	103	96	92	88	101	95	91	87	92	89	86	90	87	84	88	85	83	81
4	98	90	85	81	96	89	84	80	87	83	79	85	81	78	83	80	77	76
5	93	84	79	74	91	83	78	74	82	77	73	80	76	73	79	75	72	71
6	88	79	73	69	87	78	73	69	77	72	68	76	71	68	74	70	67	66
7	84	75	69	64	82	74	68	64	73	68	64	71	67	64	70	66	63	62
8	80	70	64	60	78	70	64	60	69	63	60	67	63	60	67	62	59	58
9	76	66	60	56	75	66	60	56	65	60	56	64	59	56	63	59	56	54
10	72	63	57	53	71	62	57	53	61	56	53	61	56	53	60	56	52	51

For lux multiply fc by 10.7

## Zonal Lumen

ZONE	LUMENS	%FIXT
0- 30	635	73.6
0- 40	812	94.1
0- 60	863	100.0
0- 90	863	100.0
90-180	0	0.0
0-180	863	100.0

## Fixture and Accessories

Use Item Number when ordering in North America.

Fixture	Item Number	Philips 12NC
eW Downlight Powercore gen2 Lamp Module, 3500 K, 65° Beam Angle Lamp module only. Choose a Power Module and a Bezel to complete the fixture. Complete fixture kits can be ordered for 220–240 VAC applications.	523-00009-12	910503702742

### Associated Parts

Power Module, 100 VAC	523-000010-02	910503700235
Power Module, 120 VAC	523-000010-00	910503700233
Power Module, 220–240 VAC	523-000010-03	910503700236
Power Module, 277 VAC	523-000010-01	910503700234
Bezel Module, White	523-000011-00	910503700237
Bezel Module, Black	523-000011-01	910503700238
Bezel Module, Brushed Aluminium	523-000011-02	910503700239

Copyright © 2016 Philips Solid-State Lighting Solutions, Inc. All rights reserved. Chromacore, Chromasic, CK, the CK logo, Color Kinetics, the Color Kinetics logo, ColorBlast, ColorBlaze, ColorBurst, eW Fuse, ColorGraze, ColorPlay, ColorReach, iW Reach, eW Reach, DIMand, EssentialWhite, eW, EvenBalance, iColor, iColor Cove, IntelliWhite, iW, iPlayer, Optibin, Powercore and PureGlow are either registered trademarks or trademarks of Philips Solid-State Lighting Solutions, Inc. in the United States and/or other countries. All other brand or product names are trademarks or registered trademarks of their respective owners. Due to continuous improvements and innovations, specifications may change without notice.

DAS-000011-07 R01 10 Aug 2016



Philips Color Kinetics  
[www.philips.com/colorkinetics](http://www.philips.com/colorkinetics)