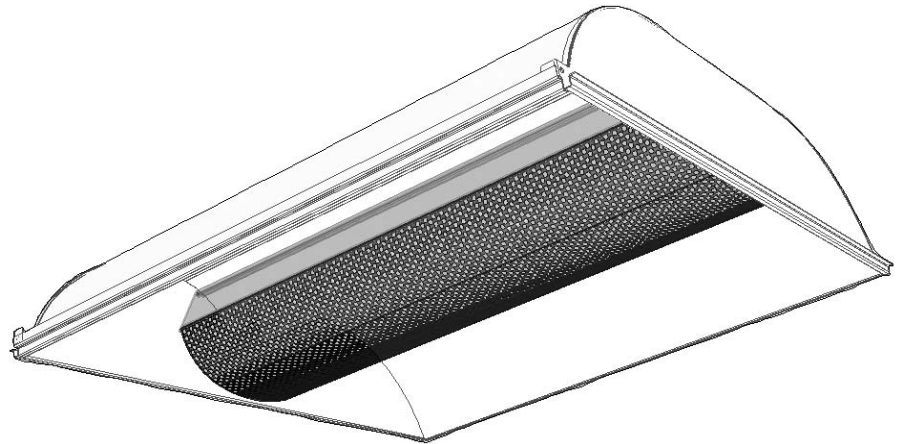


Coffaire Dust Guard G

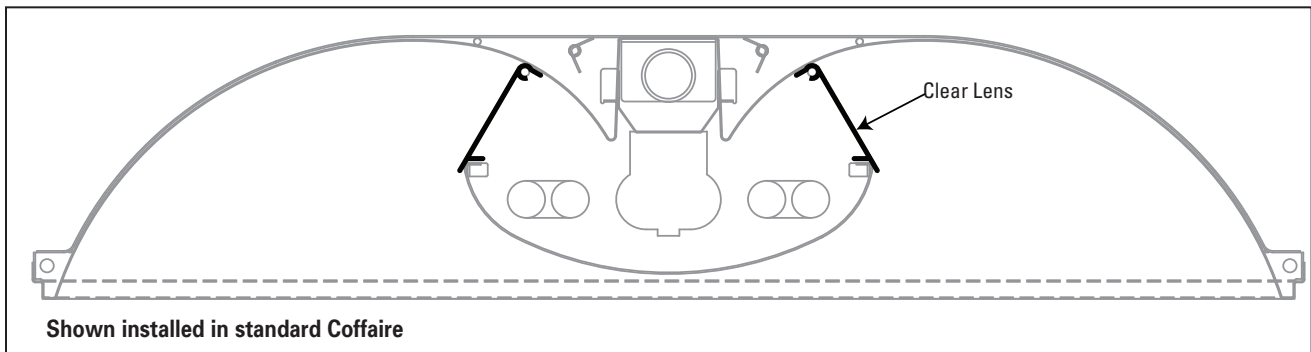
For Static Coffaire Series

Features

- Minimizes penetration of dust, insects and other debris into the lamp compartment.
- Encloses lamp compartment
- Impact resistant clear acrylic lens.
- Hinges at end caps
- Does not interfere with basket removal and relamping



Mounting Methods



Compatible with Static Coffaire Series only. Prefix CFS 2X2 and 2X4 Sizes

Photometry: Use standard photometric tests and multiply light loss factor by 0.98

Ordering Information

To Specify Dust Guard change "PF" in the Catalog Number to "PG"

Example:

Standard

CFS2GPF2FTUNVIB

CFS2GPF232UNVHI

With Dust Guard

CFS2GPG2FTUNVIB

CFS2GPG232UNVHI

Job Information	Type:
Job Name:	
Cat. No.:	
Lamp(s):	
Volts/Ballast:	

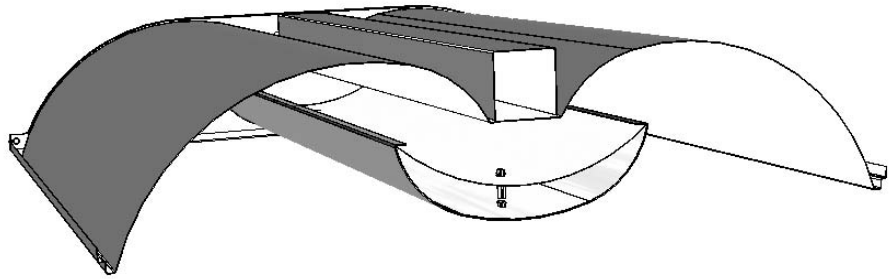
Lightolier a Genlyte company www.lightolier.com
Technical Information: (978) 657-7600 • Fax (978) 658-0595
631 Airport Road, Fall River, MA 02720 • (508) 679-8131 • Fax (508) 674-4710
We reserve the right to change details of design, materials and finish.
© 2007 a Genlyte company **Options/Accessories Folio OA50-20**

Coffaire Dust/Insect Shield D

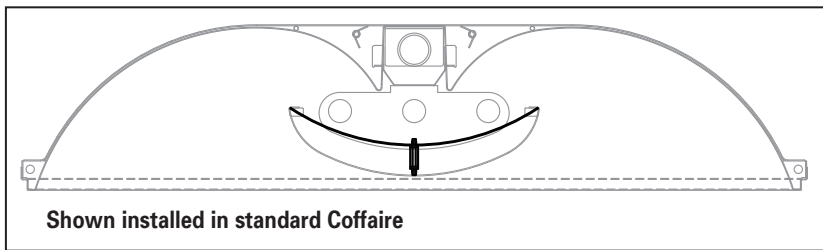
For Coffaire Series

Features

- Masks unsightly insects and debris from appearing on the perforated basket.
- For use with Coffaire Series
- .040 Translucent white acrylic secondary liner



Mounting Methods



Compatible with Coffaire Series. Prefix CFS, CFH, CFA 1X4, 2X2 and 2X4 Sizes

Photometry: Use standard photometric tests and multiply light loss factor by 0.98

Ordering Information

To Specify Dust/Insect Shield change "PF" in the Catalog Number to "PD"

Example:

Standard

CFS2GPF2FTUNVIB

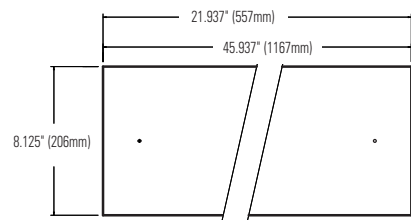
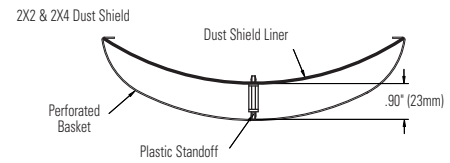
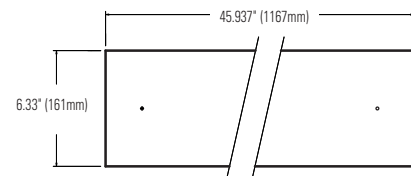
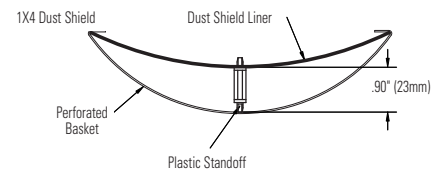
CFS2GPF232UNVHI

With Dust/Insect Shield

CFS2GPD2FTUNVIB

CFS2GPD232UNVHI

Dimensions



Job Information

Type:

Job Name:

Cat. No.:

Lamp(s):

Volts/Ballast:

Lightolier a Genlyte company

www.lightolier.com

Technical Information: (978) 657-7600 • Fax (978) 658-0595

631 Airport Road, Fall River, MA 02720 • (508) 679-8131 • Fax (508) 674-4710

We reserve the right to change details of design, materials and finish.

© 2007 a Genlyte company

Options/Accessories Folio OA50-20