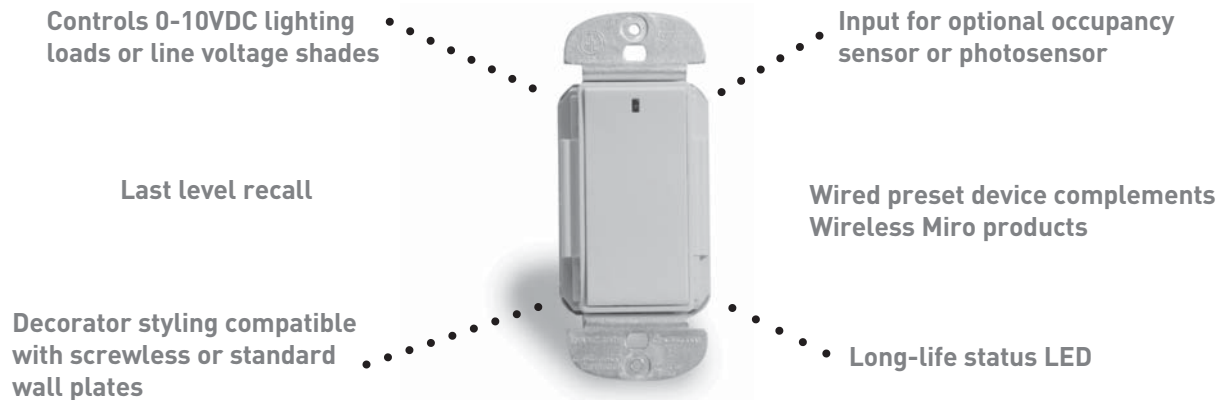


Miro Decorator 0-10V Controller



PROJECT
LOCATION/TYPE

Product Overview

Description

The Miro 0-10V Controller is a low voltage (Class 2) device with two field-selectable modes of operation. In dimming mode, it provides a nominal 0-10VDC signal to smoothly dim up to 100 DC controlled fluorescent dimming ballasts (Advance Mark 7, or equivalent) or compatible LED systems. In shade control mode, it controls line voltage shade motors (Somfy, or equivalent). Auxiliary power pack(s) are required. Controller includes a sensor input for automatic operation.

Operation

Users operate the 0-10V Controller by pressing up or down on the paddle to raise or lower light level or shade position. They may also recall the preset level by tapping the paddle. If installed, sensors will fade lights on to the preset level and fade off, based on occupancy.

Features

- Sinks up to 50mA, to control up to 100 ballasts wired in parallel (each ballast sourcing 0.5mA)
- Controls two external maintained relays
- May be used for on/off lighting control
- Recalls last-used light level (preset)
- Two-second fade rate
- Power failure restore to last-used level
- Compatible with decorator wall plates

Code-compliant Fluorescent Dimming

Fluorescent dimming is smooth, with a typical low level of approximately 5% (consult ballast manufacturer for specifics). When the Controller signal output drops to 0, the auxiliary relay (WattStopper power pack) will turn the controlled fixtures off after one to two seconds.

For code-compliant automatic-off lighting control, an occupancy sensor input may be wired to the controller. Both the sensor and the Controller may be powered from a single power pack. Lighting will fade on when the sensor detects occupancy and off after the space has been vacated.

Applications

Common applications include restaurants, offices, conference and meeting spaces, training centers and specialty stores where load control is required from a single location. For applications requiring control from multiple locations, use the Wireless Miro Decorator 0-10V Controller and Multilocation Controller(s) and/or Scene Controller(s).

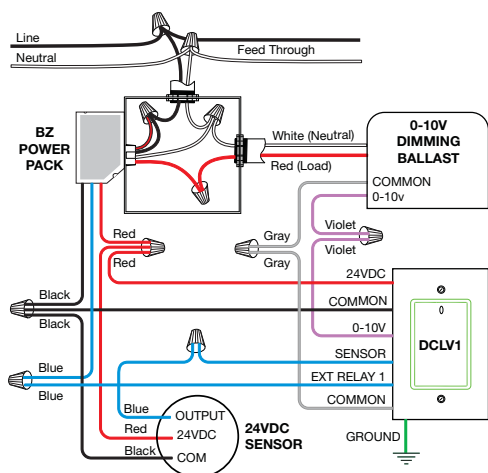


Specifications

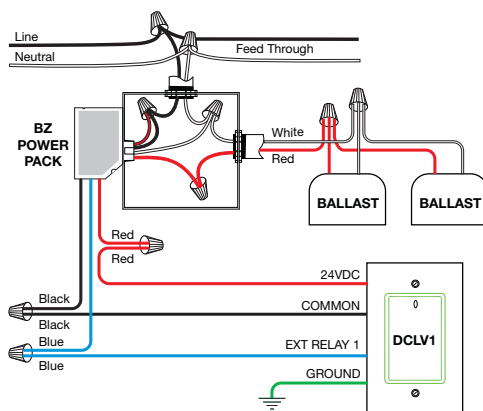
- Input voltage: 24VDC, 35mA
- Control output for 0-10VDC ballasts:
Sinks up to 50mA; maximum voltage, 9.5VDC, minimum voltage, 0.5VDC
- Two outputs for external maintained relays
- Dimensions: 2.64" x 1.75" x 1.98" (67.1mm x 44.5mm x 50.3mm) L x W x D; depth in wall 1.65" (41.9mm)
- Operating conditions: for indoor use only; 32-104°F (0-40°C); 0-80% RH, non condensing
- UL and cUL listing pending
- Five year warranty

Installation & Operation

Wiring



Wiring for dimming control of 0-10V ballasts and optional occupancy sensor

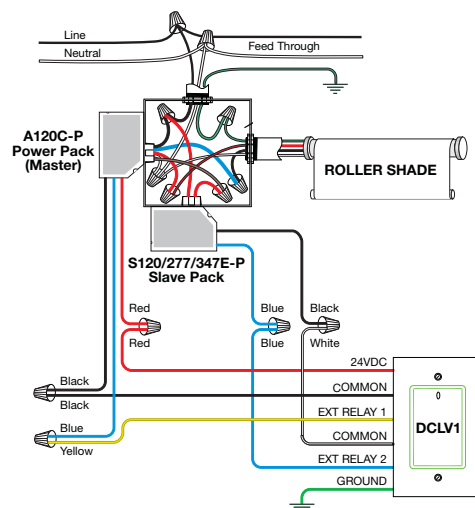
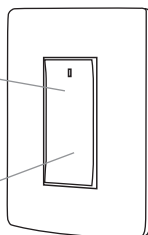


Wiring for on/off control of ballasts or other loads

Product Controls

1 tap = last used level
2 taps = full output
press and hold = raise level

1 tap = fade to OFF
press and hold = reduce level



Wiring for control of MechoShade / Somfy motorized roller shades

Ordering Information

Catalog No.	Color	Product Description	Input Voltage
<input type="checkbox"/> DCLV1-A	Light Almond	Miro Decorator 0-10V Controller	24VDC
<input type="checkbox"/> DCLV1-B	Black		
<input type="checkbox"/> DCLV1-I	Ivory		
<input type="checkbox"/> DCLV1-W	White		

NOTE: Must order power packs separately. Available in 120V or 277V.
Order wall plates separately.