



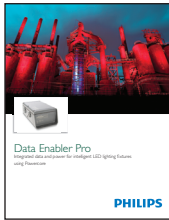
Date: _____ Type: _____

Firm Name: _____

Project: _____

Data Enabler Pro

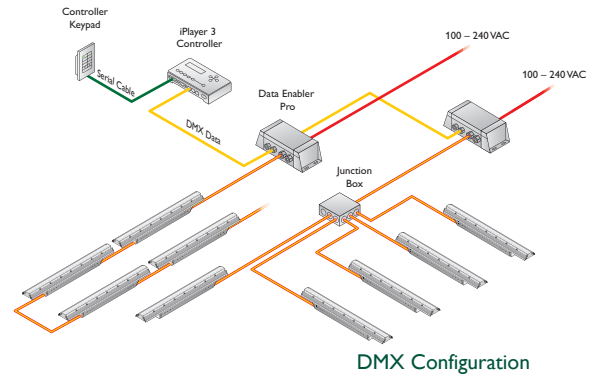
Integrated data and power for intelligent LED lighting fixtures employing Powercore technology



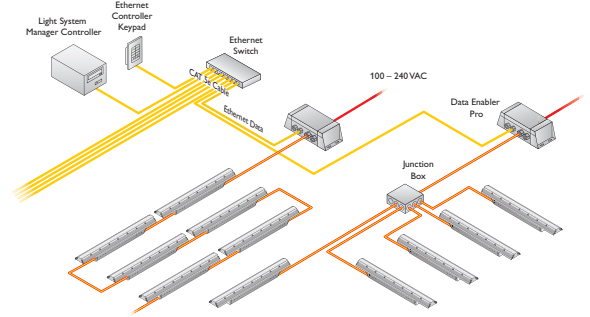
For information on installation planning, including electrical and data configuration guidelines, view or download the Data Enabler Pro Product Guide from www.philipscolorkinetics.com/lsl/pds/dataenablerpro/

Data Enabler Pro delivers integrated data and power to intelligent color and tunable white LED lighting fixtures employing Powercore technology from Philips Color Kinetics. Data Enabler Pro integrates many of the features of the previous generation of Data Enablers, including Data Enabler DMX, Data Enabler Ethernet, and Data Enabler EO. Data Enabler Pro is the single solution for all intelligent Powercore-based installations, whether DMX or Ethernet, color or white, indoors or outdoors.

- Easy installation — Accessible, clearly labeled terminal block connectors for DMX, Ethernet, line voltage, and fixtures make installation easy. Tethered cover with captive screws ensures convenient removal and replacement.
- Supports fixtures employing Powercore technology — Powercore technology rapidly, efficiently, and accurately controls power output to LED lighting fixtures directly from line voltage. Philips Data Enabler Pro merges line voltage and control data and delivers them to Powercore fixtures over a single cable, dramatically simplifying installation and lowering total system cost.
- On-board diagnostics — On-board indicator LEDs provide visual feedback for normal operation, Ethernet connection detection, and Ethernet and DMX data transmission.
- Full support for DMX and Ethernet — Provides inputs and outputs for both DMX and Ethernet, allowing you to connect multiple Data Enabler Pro devices in series. Also provides an Ethernet output terminal for eW Accent MX Powercore and iColor Accent MX Powercore support.



DMX Configuration



Ethernet Configuration

- Outdoor-rated for use in damp and wet environments — Data Enabler Pro offers superior leakage protection in a cast aluminum, IP66-rated enclosure.
- Multiple conduit entries — Data Enabler Pro conduit entries accommodate NPT conduit in US trade sizes of 1/2 in and 3/4 in, or metric sizes of PG13 and PG21.
- Universal power input range — Data Enabler Pro automatically senses mains voltages ranging from 100 – 277 VAC, and passes mains voltages through to all connected lights.
- Designed for maximum energy efficiency — Data Enabler Pro consumes just 20 W maximum. Optional power-saving modes automatically cut power to attached lights when lights are off for a configurable number of minutes.



Specifications

Due to continuous improvements and innovations, specifications may change without notice.

Item	Specification	Details
Electrical	Input Voltage	100 – 277 VAC*, auto-ranging, 50 / 60 Hz
	Maximum Input Current	16.5 A maximum
	Power Consumption	20 W maximum
	Load Current	16 A maximum
Connections	Power Input	3-wire PC terminal block connector†
	Power / Data Output	4-wire PC terminal block connector† 4-wire IDC terminal block connector (eW Accent MX Powercore and iColor Accent MX Powercore only)‡
	DMX Input / Output	Double-pair, double-entry IDC connectors‡
	Ethernet Input / Output	Double-pair, double-entry IDC connectors‡
Physical	Dimensions (Height x Width x Depth)	3.4 x 10.5 x 5.4 in (87 x 267 x 138 mm)
	Weight	5.4 lb (2.4 kg)
	Construction	Cast aluminum enclosure with slots for surface mounting
	Finish	Powder-coated industrial gray matte
	Threaded Openings	3/4 in NPT for power / 1/2 in NPT for data (US trade) PG21 for power / PG13 for data (metric)
	Temperature Ranges	-40° – 122° F (-40° – 50° C) Operating -4° – 122° F (-20° – 50° C) Startup -40° – 176° F (-40° – 80° C) Storage
	Humidity	0 – 95%, non-condensing
	Cooling	Convection
	Heat Dissipation	20 W
	Data Input Source	Philips full range of controllers, third-party DMX controllers, or KiNET-compatible§ third-party Ethernet controllers
	Certification and Safety	Certification
Environment		Dry / Damp / Wet Location, IP66

* Verify that the line voltage is appropriate for the lighting fixtures in your installation. See a specific fixture's documentation for supported line voltages.



† PC terminal block connectors accept recommended wire sizes from 8 – 18 AWG (8.37 – 0.823 mm²).

‡ IDC connectors accept wire sizes from 22 – 26 AWG (0.326 – 0.129 mm²).

§ KiNET is the Ethernet lighting protocol from Philips Color Kinetics.

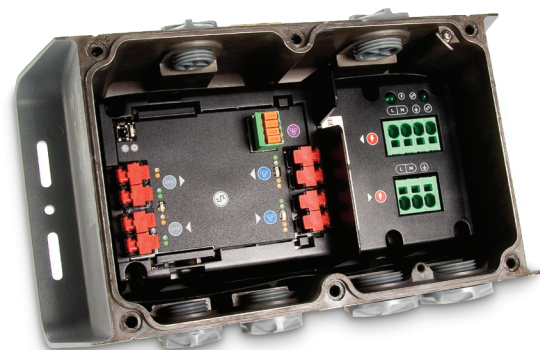
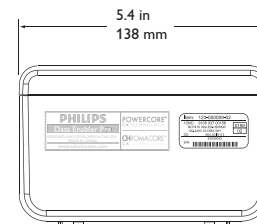
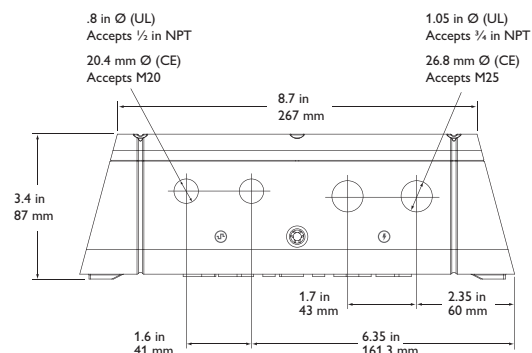
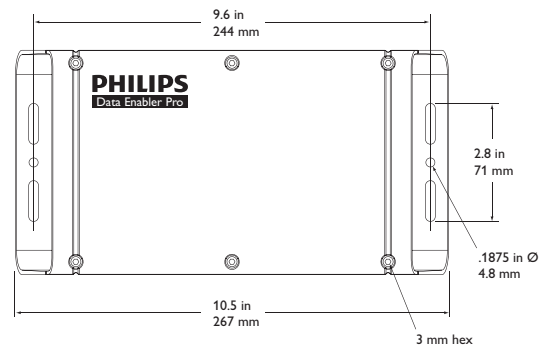
Ordering Information

Item	Type	Item Number	Philips 12NC
Data Enabler Pro	3/4 in / 1/2 in NPT (US trade size conduit)	106-000004-00	910503701210
	PG21 / PG13 (metric size conduit)	106-000004-01	910503701211

Use Item Number when ordering in North America.



Philips Color Kinetics
3 Burlington Woods Drive
Burlington, Massachusetts 01803 USA
Tel 888.385.5742
Tel 617.423.9999
Fax 617.423.9998
www.philipscolorkinetics.com



Copyright © 2010 – 2012 Philips Solid-State Lighting Solutions, Inc. All rights reserved. Chromacore, Chromasic, CK, the CK logo, Color Kinetics, the Color Kinetics logo, ColorBlast, ColorBlaze, ColorBurst, eW Fuse, ColorGraze, ColorPlay, ColorReach, iW Reach, eW Reach, DIMand, EssentialWhite, eW, iColor, iColor Cove, IntelliWhite, iW, iPlayer, Optibin, and Powercore are either registered trademarks or trademarks of Philips Solid-State Lighting Solutions, Inc. in the United States and / or other countries. All other brand or product names are trademarks or registered trademarks of their respective owners. Due to continuous improvements and innovations, specifications may change without notice. DAS-000052-01 R06 10-15