

8300-PLR



Color:  Red

UPC Code: 07847710908

Country Of Origin: Mexico

*Eligible for ARRA funded projects > \$7,443,000

NEMA:
5-20R



8300-PLR

Brand Features

All Leviton Hospital Grade Receptacles undergo the most stringent UL testing to assure continuous, safe operation in any application requiring high-abuse tolerance, including health care facilities, manufacturing plants and schools.

Item Description

20 Amp, 125 Volt, NEMA 5-20R, 2P, 3W, Power Indication, Extra Heavy Duty Hospital Grade, Duplex Receptacle, Straight Blade, Self Grounding, Back & Side Wired, Nickel Plated Brass Strap, - RED

Technical Information

AC Horsepower Ratings

Horsepower Rating: 1 HP

Electrical Specifications

Dielectric Voltage: Withstands 2000V per UL498

Grounding: Self Grounding

Temperature Rise: Max 30C after 250 cycles OL at 200 percent rated current

Voltage: 125 Volt

Amperage: 20 Amp

Current Limiting: Full Rated Current

Wire: 3

Pole: 2

Environmental Specifications

Operating Temperature: -40C to 60C

Flammability: Rated V-2 per UL94

Material Specifications

Strap Material: Brass

Body Material: Nylon

Face Material: Nylon

Ground Clips: Nickel-Plated Brass

Terminal Screws: Plated Brass

Color: Red

Line Contacts: Nickel-Plated Brass Triple-Wipe .040 Thick

Yoke: Nickel-Plated Brass

Clamp Nuts: Zinc-Plated Steel

Grounding Screw: Plated Brass

Mechanical Specifications

Product ID: Markings are permanently marked on device

Terminal ID: Brass-Hot, Green-Ground, Silver-Neutral

Terminal Accom.: 14-10 AWG

Torque Range: 14-16 inch pounds

Product Features

Strap Material: Brass

Grounding: Self Grounding

Warranty: 10-Year Limited

Color: Red

Grade: Hospital

Termination: Back & Side 8 Hole Feed-Thru

NEMA: 5-20R

Standards and Certifications

UL498HG: File E13399

Warranty: 10-Year Limited

CSA C22.2 No. 42: File 152105

UL Fed Spec WC-596: File E13399

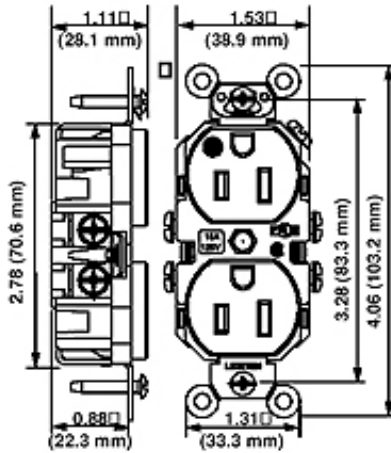
ANSI: C-73

NOM: 057

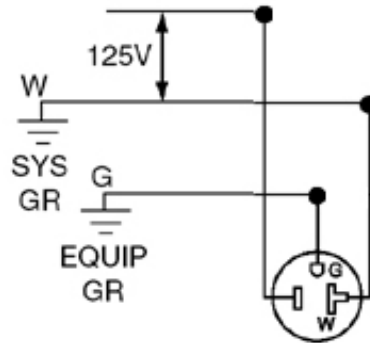
RoHS: Non-Compliant

NEMA: WD-6

Dimensional Diagram



Wiring Diagram



5-20R

SPECIFICATION SUBMITTAL

JOB NAME:	CATALOG NUMBERS:	
<input type="text"/>	<input type="text"/>	<input type="text"/>
JOB NUMBER:	<input type="text"/>	<input type="text"/>

Leviton Manufacturing Co., Inc.

201 North Service Road, Melville, NY 11747

Teléfono: +1-800-323-8920 · FAX: +1-800-832-9538 · Tech Line (8:30AM-7:30PM E.S.T. Monday-Friday): +1-800-824-3005

Leviton Manufacturing of Canada, Ltd.

165 Hymus Boulevard, Pointe Claire, Quebec H9R 1E9 · Telephone: +1-800-469-7890 ·

FAX: +1-800-824-3005 · www.leviton.com/canada

Leviton S. de R.L. de C.V.

Lago Tana 43, Mexico DF, Mexico CP 11290 · Tel.: (+52)55-5082-1040 · FAX: (+52)5386-

1797 · www.leviton.com.mx

Visit our Website at: www.leviton.com

© 2012 Leviton Manufacturing Co., Inc. Todos los derechos reservados. Subject to change without notice.

Leviton has a global presence.

If you would like to know where your local Leviton office is located please go to:

www.leviton.com/international/contacts/



**Leviton is the smart choice, providing the most comprehensive range of solutions to meet the needs of today's residential, commercial and industrial buildings. Leveraging more than a century of experience, Leviton helps customers create sustainable, intelligent environments through its electrical wiring devices, network and data center connectivity solutions, and lighting energy management systems. From switches and receptacles, to daylight harvesting controls, networking systems, and equipment for charging electric vehicles, Leviton solutions help customers achieve savings in energy, time and cost, all while enhancing safety.*