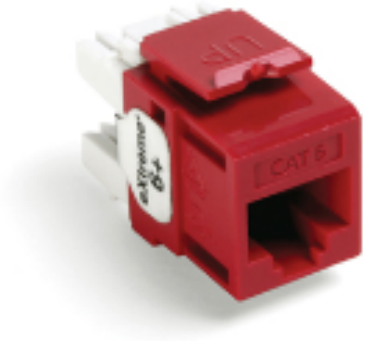


61110-RC6



Brand Features

The eXtreme Cat 6 connector is designed to be used with all QuickPort compatible products. The connector includes patented Retention Force Technology which promotes consistent performance over the life of the system. It features unique pair separation towers allowing for quicker and easier terminations. The connector is built on a 180-degree configuration with the punch field in the back, allowing for rear termination.

Item Description

eXtreme Cat 6 QuickPort Connector, Crimson

Color: **N/A** Crimson

UPC Code: 07847714469

Country Of Origin: United States

Technical Information

Environmental Specifications

Flammability: Rated UL94V-0

Material Specifications

Contact Surface Material: 50 microinches thick Gold-Plated

Contact Sub-Surface Material: 100 microinches thick Nickel-Plated

Contact Base Material: Phosphor Bronze

Body Material: High-Impact Fire-Retardant Plastic

Body Color: Crimson Red

Mechanical Specifications

Position / Conductor: 8P8C

Style Name: eXtreme

Termination Type: 110 Punchdown

Connector Feature: Channel/Component Rated

Cable Type: 8-Conductor UTP Copper Cat 5, 5e and 6

Product ID: Permanently laser-engraved

Wiring Standard: T568A T568B

Performance Specifications

Module Type: Category 6

Product Features

Module Style: Connector

Module Type: Category 6

Position / Conductor: 8P8C

Cable Type: 8-Conductor UTP Copper Cat 5, 5e and 6

Connector Feature: Channel/Component Rated

Termination Type: 110 Punchdown

Contact Surface Material: 50 microinches thick Gold-Plated

Contact Sub-Surface Material: 100 microinches thick Nickel-Plated

Contact Base Material: Phosphor Bronze

Category Rating: eXtreme CAT 6+

Body Color: Crimson Red

Standards and Certifications: TIA/EIA cULus Listed

Warranty: 1 Year Limited

Packaging: Single Pack 1/bag

Color: Crimson

Standards and Certifications

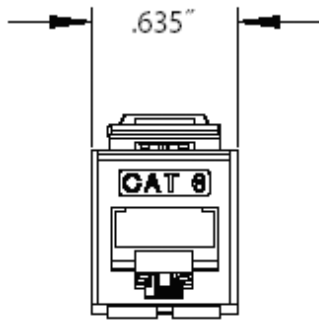
TIA/EIA: TIA-568-B

UL: cULus Listed

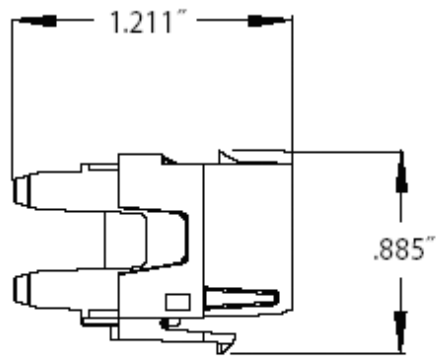
CSA: Certified

NEC: Article 800 Compliant

FCC: Part 68 Compliant



Front View



Side View

SPECIFICATION SUBMITTAL

JOB NAME: <input type="text"/>	CATALOG NUMBERS: <input type="text"/>	
JOB NUMBER: <input type="text"/>	<input type="text"/>	<input type="text"/>

Leviton Manufacturing Co., Inc.

201 North Service Road, Melville, NY 11747

Teléfono: +1-800-323-8920 · FAX: +1-800-832-9538 · Tech Line (8:30AM-7:30PM E.S.T. Monday-Friday): +1-800-824-3005

Leviton Manufacturing of Canada, Ltd.

165 Hymus Boulevard, Pointe Claire, Quebec H9R 1E9 · Telephone: +1-800-469-7890 ·

FAX: +1-800-824-3005 · www.leviton.com/canada

Leviton S. de R.L. de C.V.

Lago Tana 43, Mexico DF, Mexico CP 11290 · Tel.: (+52)55-5082-1040 · FAX: (+52)5386-

1797 · www.leviton.com.mx

Visit our Website at: www.leviton.com

© 2018 Leviton Manufacturing Co., Inc. Todos los derechos reservados. Subject to change without notice.

Leviton has a global presence.

If you would like to know where your local Leviton office is located please go to:

www.leviton.com/international/contacts/

