

# ODC Series Vacancy Sensors



## DESCRIPTION

The Leviton ODC Series combines line voltage vacancy sensors into a self-contained unit. The integrated design alleviates the need for separate power pack and vacancy sensor wiring making it a low-cost, efficient energy solution for new construction and retrofits. Vacancy timers continually analyze and adjust to changing conditions using the latest microprocessor-based technology to optimize performance. Manual ON/Auto OFF- requires lights to be manually turned ON and will automatically turn lights OFF when no occupancy is detected. Wire terminals allow for simple connection to a line-voltage circuit and are ideal for existing buildings with limited access to wiring and new construction.

## APPLICATIONS

- CA Title 20 Compliant Vacancy Sensor
- Manual-ON/Auto-OFF

## FEATURES

- Auto-Adapting: Time delay and sensitivity are continually adjusted to occupancy pattern of use
- Configurable for Manual ON/Auto OFF
- Vacancy Sensing Time Outs:
- Delayed OFF Timer: The sensor will turn lights OFF if no motion is detected after a specified time
- Exclusive Walk-through Feature: Provides increased energy savings by not leaving the lights ON for an extended period after only momentary occupancy
- False Detection Timer: (PIR) The PIR scans for movement and shuts lights off after 31 minutes preventing false triggers from HVAC systems

- Time delay and saved settings are protected during power outages and will return to the last known state
- Output short circuit protection
- Industry-exclusive self-configuring local manual switch input: Momentary or maintained switches are supported
- Adjustable Time Delay: 30s, 5min, 10min, 20min, 30min
- Test Mode for simplified commissioning
- Manual Switch and Emergency Override are Class 1 or Class 2 circuits. Class 2 circuits provided for flexibility
- Industry-exclusive “fail-safe” circuitry: In the event of product failure, Return-to-Closed feature causes the relay to default ON which eliminates life safety concerns
- Industry-exclusive H.I.S. (High Inrush Stability) technology designed to handle today’s high inrush electronic ballast loads and offer unmatched durability and service
- Robust and reliable mechanically held 10A latching relay provides dependability and robust performance for all load types and provides energy savings over electronically held relays
- Field of View: Units from 100 to 2000 square feet available
- Lenses on PIR models are easily replaceable and color-coded red (mid range) for contractors and end-users to easily identify lenses from the ground

## PRODUCT DATA

### FEATURES

- Industry-exclusive H.I.S. (High Inrush Stability) technology designed to handle today's high inrush electronic ballast loads and offer unmatched durability and service
- Robust and reliable mechanically held 10A latching relay provides dependability and robust performance for all load types and provides energy savings over electronically held relays
- Field of View: Units from 1000 to 2000 square feet available
- Lenses on PIR models are easily replaceable and color-coded red (mid range) for contractors and end-users to easily identify lenses from the ground
- Lenses are easily replaceable and color-coded for contractors and end-users to easily identify lenses from the ground:
  - Mid-Range: Red - included with M/T, and PIR models
  - Extended Range: Black

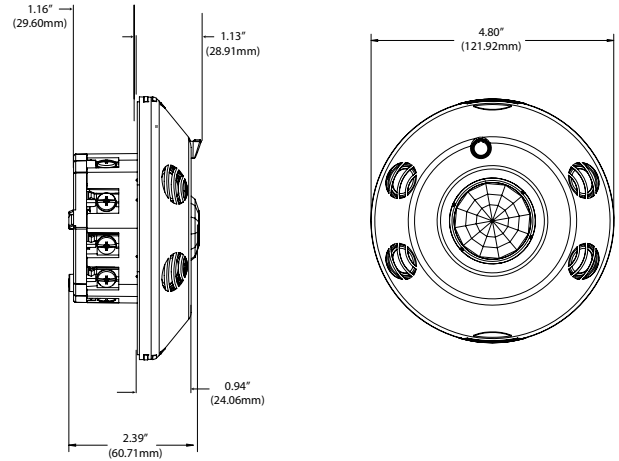
### RATINGS AND TESTING

- Zero-crossing circuitry for extended life of the relay
- Tested to exceed 1 million switching cycles under standard loads
- Multiple compliance and regulatory UL testing - consult factory for details
- Passed rigorous NEMA 410 testing for electronic ballast rating
- BMS Input/Emergency Override: UL 924 listed for Emergency and Egress lighting control

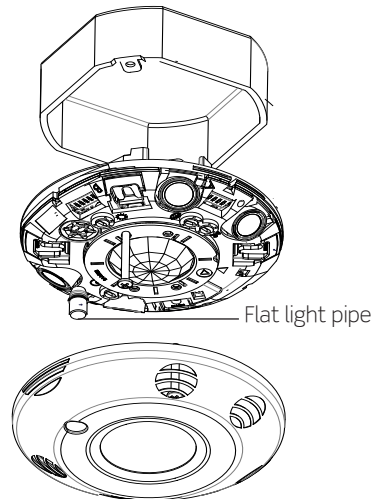
### INSTALLATION

- Easy installation into junction boxes with Leviton-exclusive screw guides, coasters and terminal blocks
- Front cover snaps on and off for ease of installation

### DIMENSIONS

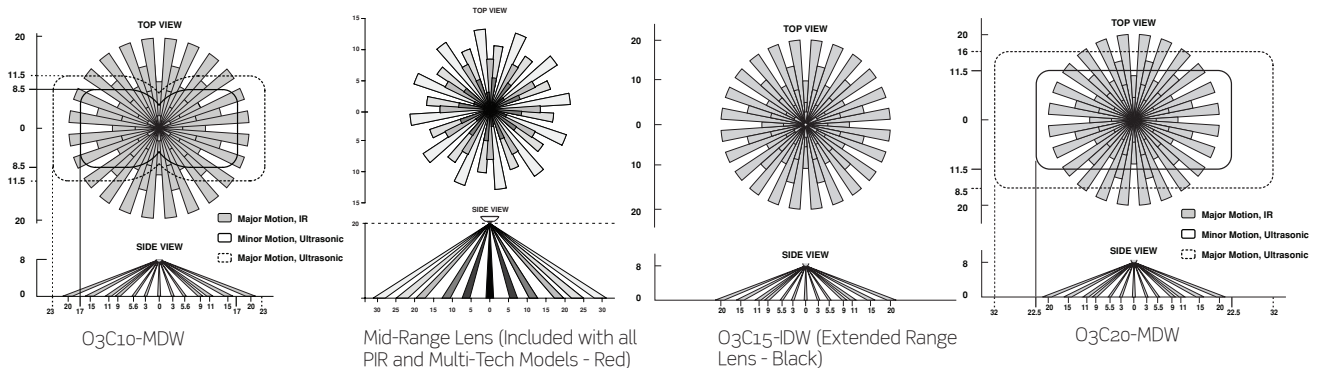


### INSTALLATION



Sensors conveniently mount to a standard 4" x 4" octagon electrical box per NEC standards.

### FIELD OF VIEWS



## PRODUCT DATA



### SPECIFICATIONS

| <b>ELECTRICAL</b>     |   |  |  |
|-----------------------|---|--|--|
| Input Voltage         | 120V, 50/60Hz   | 230V, 50Hz   | 277V, 50/60Hz                                |
| Load Rating           | 8A, Electronic Ballast, 800W/VA, Tungsten, Ballast, 1/4 HP Motor  | 6A/6AX, Electronic Ballast, Magnetic Ballast, 1/3 HP Motor | 5A, Electronic Ballast, 1200VA, 1/3 HP Motor |
| Current Consumption   | 60-30ma   |  |  |
| <b>ENVIRONMENTAL</b>  |   |  |  |
| Operating Temperature | 32° to 104° F (0° to 40° C)   |  |  |
| Storage Temperature   | -15° to 160° F (-26° to 71° C)  |  |  |
| Relative Humidity     | 0% to 90% non-condensing  |  |  |
| <b>OTHER</b>          |   |  |  |
| Listings              | CA Title 20 Compliant, UL 773A (Occupancy Standard), UL 924 (Emergency Equipment), cUL Lsted, CE Compliant, NOM Certified, RoHS Compliant, NY LLC48 Compliant |  |  |
| Warranty              | 5-Year Limited Warranty   |  |  |

### ORDERING INFORMATION

| <b>CAT. NO.</b>       | <b>DESCRIPTION</b>  |
|-----------------------|---|
| <b>VACANCY MODELS</b> |   |
| O3C10-MDW             | Line Voltage, Ceiling, M/T Sensor 1000sqft, 120-277V, CA Title 20 Compliant, NY LLC48 Compliant |
| O3C15-IDW             | Line Voltage, Ceiling, PIR Sensor 1500sqft, 120-277V, CA Title 20 Compliant, NY LLC48 Compliant |
| O3C20-MDW             | Line Voltage, Ceiling, M/T Sensor 2000sqft, 120-277V, CA Title 20 Compliant                     |

ODC Series Vacancy Sensors

### Leviton Mfg. Co., Inc. Lighting & Energy Solutions

20497 SW Teton Avenue, Tualatin, OR 97062 1-800-736-6682 Tech Line: 1-800-959-6004 Fax: 503-404-5594 www.leviton.com/les  
© 2013 Leviton Manufacturing Co., Inc. All rights reserved. Subject to change without notice.

## PRODUCT DATA

ODC Series Vacancy Sensors

### **Leviton Manufacturing Co., Inc. Global Headquarters**

201 N. Service Rd. Melville, NY 11747-3138 • Tech Line: 1-800-824-3005 • Fax: 1-800-832-9538

### **Leviton Manufacturing Co., Inc. Lighting & Energy Solutions**

20497 SW Teton Avenue, Tualatin, OR 97062 • Tele: 1-800-736-6682 • FAX: 503-404-5594 • Tech Line (6:00AM-4:00PM P.S.T. Mon-Fri): 1-800-959-6004

### **Leviton Manufacturing of Canada, Ltd.**

165 Hymus Boulevard, Pointe Claire, Quebec H9R 1E9 • Telephone: 1-800-469-7890 • FAX: 1-800-563-1853

### **Leviton S. de R.L. de C.V.**

Lago Tana 43, Mexico DF, Mexico CP 11290 • Tel. (+52) 55-5082-1040 • FAX: (+52) 5386-1797 • [www.leviton.com.mx](http://www.leviton.com.mx)

**Visit our Website at: [www.leviton.com/les](http://www.leviton.com/les)**

© 2013 Leviton Manufacturing Co., Inc. All rights reserved. Subject to change without notice.

G-9128/l13-aa