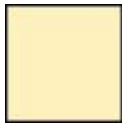


T5320-SI



Color:



Ivory

UPC Code: 07847742934

Country Of Origin: United States

* Eligible for ARRA funded projects

NEMA:
5-15R



Made in USA



T5320-SI

Brand Features

Leviton's duplex receptacles are designed for a chic appearance, quick installation and durability. The impact-resistant thermoplastic design allows for a long service life and high performance in homes, offices, schools and other settings.

Item Description

15 Amp, 125 Volt, NEMA: 5-15R, Pole: 2, 3-Wire, Tamper-Resistant, Duplex Receptacle, Straight Blade, Self-Grounding, Quickwire Push-In & Side, UL/CSA, Warranty: 2 Year Limited, Ivory, NEC compliant

Technical Information

Product Features

Grounding: Self-Grounding

Face Material: Thermoplastic

Warranty: 2 Year Limited

Color: Ivory

Device Type: Duplex Receptacle

Termination: Quickwire Push-In & Side

Wire: 3-Wire

Feature: Tamper-Resistant

NEMA: 5-15R

Blade Type: Straight Blade

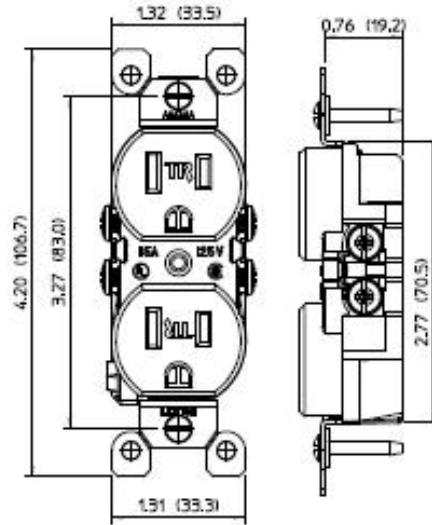
Voltage: 125 Volt

Amperage: 15 Amp

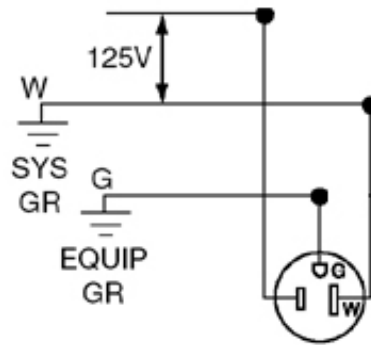
Standards and Certifications: UL/CSA

Pole: 2

Base Material: Thermoplastic



Wiring Diagram



5-15R

SPECIFICATION SUBMITTAL

JOB NAME:	CATALOG NUMBERS:	
JOB NUMBER:		

Leviton Manufacturing Co., Inc.

201 North Service Road, Melville, NY 11747

Teléfono: +1-800-323-8920 · FAX: +1-800-832-9538 · Tech Line (8:30AM-7:30PM E.S.T. Monday-Friday): +1-800-824-3005

Leviton Manufacturing of Canada, Ltd.

165 Hymus Boulevard, Pointe Claire, Quebec H9R 1E9 · Telephone: +1-800-469-7890 ·

FAX: +1-800-824-3005 · www.leviton.com/canada

Leviton S. de R.L. de C.V.

Lago Tana 43, Mexico DF, Mexico CP 11290 · Tel.: (+52)55-5082-1040 · FAX: (+52)5386-

1797 · www.leviton.com.mx

Visit our Website at: www.leviton.com

© 2012 Leviton Manufacturing Co., Inc. Todos los derechos reservados. Subject to change without notice.

Leviton has a global presence.

If you would like to know where your local Leviton office is located please go to:

www.leviton.com/international/contacts/



**Leviton is the smart choice, providing the most comprehensive range of solutions to meet the needs of today's residential, commercial and industrial buildings. Leveraging more than a century of experience, Leviton helps customers create sustainable, intelligent environments through its electrical wiring devices, network and data center connectivity solutions, and lighting energy management systems. From switches and receptacles, to daylight harvesting controls, networking systems, and equipment for charging electric vehicles, Leviton solutions help customers achieve savings in energy, time and cost, all while enhancing safety.*