

16351-W

Tamper Resistant Receptacles

Item Description

20 Amp, 125 Volt, NEMA 5-20R, 2P, 3W, Decora Plus Single Receptacle, Straight Blade, Commercial Grade, Self-Grounding, , , Back & Side Wired, Steel Strap, - White



UPC Code: 07847747386

Country of Origin: Please Contact Customer Service

NEMA: 5-20R



Technical Information

AC Horsepower Ratings

At Rated Voltage: 1 HP

Electrical Specifications

Dielectric Voltage: Withstands 2000V per UL498

Current Limiting: Full Rated Current

Temperature Rise: Max 30C after 250 cycles OL at 200 percent rated current

Environmental Specifications

Flammability: Rated V-2 per UL94

Operating Temperature: -40C to 60C

Material Specifications

Face Material: Thermoplastic Nylon

Body Material: Thermoplastic Nylon

Line Contacts: Brass Triple-Wipe .031 Thick

Terminal Screws: Brass 10-32

Grounding Screw: Brass 8-32

Yoke: Zinc-Plated Steel

Clamp Nuts: Zinc-Plated Steel

Ground Clips: Brass-Plated

Mechanical Specifications

Terminal ID: Brass-Hot, Green-Ground, White-Neutral

Terminal Accom.: 14-10 AWG

Product ID: Ratings are permanently marked on device

Product Features

Grounding: Self-Grounding

Amperage: 20 Amp

Voltage: 125 Volt

NEMA: 5-20R

Pole: 2

Wire: 3

Termination: Back & Side

Face Material: Thermoplastic Nylon

Body Material: Thermoplastic Nylon

Strap Material: Steel

Color: White

Standards and Certifications: UL

Warranty: 10 Year Limited

Standards and Certifications

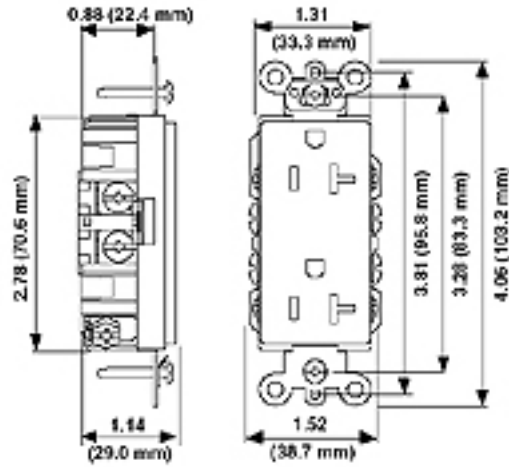
NEMA: WD-6

ANSI: C-73

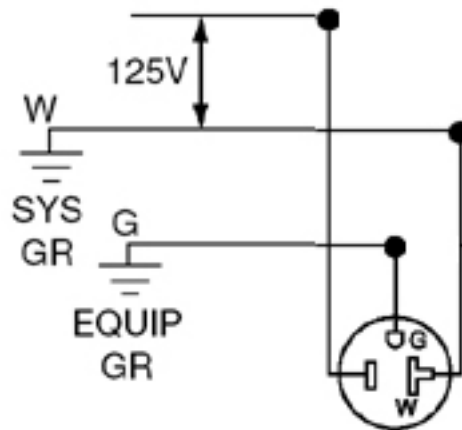
UL498: File E13399

NOM: 057

Dimensional Diagram



Wiring Diagram



5-20R

SPECIFICATION SUBMITTAL

JOB NAME: <input style="width: 95%;" type="text"/>	CATALOG NUMBERS: <input style="width: 95%;" type="text"/>
JOB NUMBER: <input style="width: 80%;" type="text"/>	<input style="width: 95%;" type="text"/>

Leviton Manufacturing Co., Inc.

201 North Service Road, Melville, NY 11747

Telephone: 1-800-323-8920 · FAX: 1-800-832-9538 · Tech Line (8:30AM-7:30PM E.S.T. Monday-Friday): 1-800-824-3005

Leviton Manufacturing of Canada, Ltd.

165 Hymus Boulevard, Pointe Claire, Quebec H9R 1E9 · Telephone: 1-800-469-7890 ·

FAX: 1-800-824-3005 · www.leviton.com/canada

Leviton S. de R.L. de C.V.

Lago Tana 43, Mexico DF, Mexico CP 11290 · Tel.: (+52)55-5082-1040 · FAX: (+52)5386-1797 · www.leviton.com.mx

Visit our Website at: www.leviton.com

© 2012-2016 Leviton Manufacturing Co., Inc. All rights reserved. Subject to change without notice.

Leviton has a global presence.

If you would like to know where your local Leviton office is located please go to: www.leviton.com/international/contacts/

