

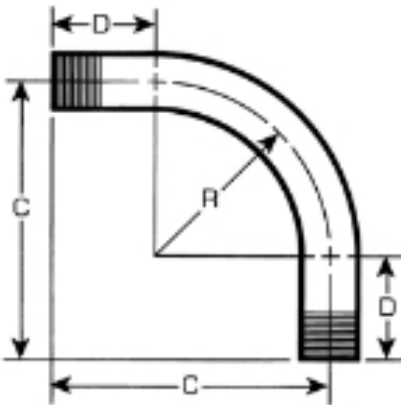


**Elbows-PVC Coated**  
**T&B Catalog Number:**

ELL3-G  
 70450837051  
 Active

**UPC Number:**  
**Status:**  
**Description:**

Standard Radius Elbow, 40 Mil PVC Coated, Pipe Size 3 Inch/78 Metric, Angle 90 Degrees, Radius 13 Inch/330.20 Millimeters, Offset 16-1/2 Inch/419.10 Millimeters, Straight End 3-1/2 Inch/88.90 Millimeters, Unbent Length 27.42 Inch/696.48 Millimeters, Hot-Dip Galvanized Rigid Steel, Gray



**Features**

- A minimum .040 in. (40 mil) PVC coating on the exterior.
- A nominal .002 in. (2 mil) blue urethane on the interior.
- Ocal-Blue standard radius elbows are factory bent to reduce the time and wasted materials that can result from field bending.
- Color coded thread protectors on each end.

**General**

Custom_Finish	sre_390
Material	Steel
Finish	Hot-Dip Galvanized
Color	Dark Gray
Thread Protector Color	Blue

**Dimension Information**

Pipe Size (Metric Size Designator*)	78
Size (inches)	3
Degree of Bend	90
Radius-R (inches)	13.00
Radius-R (mm)	330.2
Offset-C (feet/inches)	18.75
Offset-C (inches)	18.75
Offset-C (mm)	476.25
Straight End-D (inches)	5.79
Straight End-D (mm)	147.066
Unbent Length (inches)	32.00
Unbent Length (mm)	812.8

**Technical Information**

Chemical Resistance Chart	Available on Website
---------------------------	----------------------

**Specifications**

Ocal Specification Guide-1995 Master Format-PDF	Available on Website
Ocal Specification Guide-1995 Master Format-DOC	Available on Website
Ocal Specification Guide-2004 Master Format-PDF	Available on Website
	Available on Website

Ocal Specification Guide-2004 Master  
Format-DOC

### **Packaging**

Package in Units	1
T&B Sold in UOM	Each
T&B Weight Per UOM	18.2 lbs. Each

### **Application Support**

T&B Sales Drawings	wsd-000551
Ocal Specifications	Available on Website
Recommended Installation Procedures	Available on Website
NEMA Standards-RN 1	Available on Website
NEC 310-16 - Conductors for General Wiring	Available on Website
NEC Table 8	Available on Website

### **Notes**

Metric size designator (ANSI C80. 1-1994)  
Dimensional values are of uncoated elbows.

### **Certifications**

RoHS Compliance No

### **Certifications**



File Nbr:  
E 46453

**For further technical assistance, please contact us...**

Thomas & Betts - USA  
8155 T&B Blvd.  
Memphis, TN 38125  
www.tnb.com

T&B Technical Support  
MS 3B-50  
8155 T&B Blvd.  
Memphis, TN 38125

Hours: 7AM - 6PM CDT  
Monday-Friday  
Phone: (888) 862-3289  
Fax: (901) 252-1321  
Email:techsupport@tnb.com