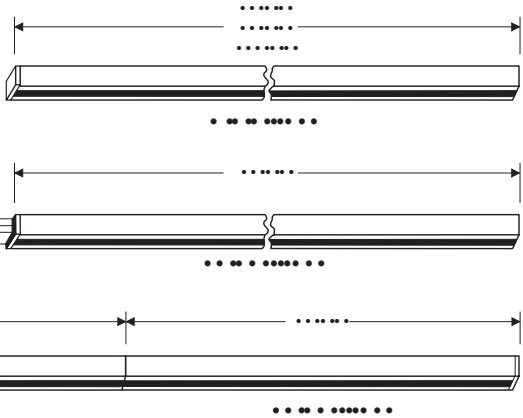


6060NAL	6101NBK	6108NAL	6148NBK	6151NBK	7480
6060WH	6102NAL	6108NWH	6148NWH	6152NAL	7480AL
6060BK	6102NWH	6108NBK	6149NAL	6152NWH	7481
6061NAL	6102NBK	6112NAL	6149NWH	6152NBK	7582
6061WH	6103NAL	6112NWH	6149NBK	6153NAL	7582AL
6061BK	6103NWH	6112NBK	6150NAL	6153NWH	7584
6096WH	6103NBK	6146NAL	6150NWH	6153NBK	7584AL
6096BK	6104NAL	6146NWH	6150NBK	6154NBK	7681AL
6101NAL	6104NWH	6146NBK	6151NAL	6154NAL	7681
6101NWH	6104NBK	6148NAL	6151NWH	6154NWH	7683



	4' Catalog No.	8' Catalog No.	8' Catalog No.	4' Catalog No.	8' Catalog No.	12' Catalog No.
Matte White	.....	.....	.....	.....	.....	.....
Matte Black	.....	.....	.....	.....	.....	.....
Aluminum	.....	.....	.....	.....	.....	.....

- ..... 6063-T5 Aluminum 0.070" wall thickness.
- ..... 0.024 Spring steel, in black or white; order separately.
- ..... furnished with track units.
- ..... 20A current carrying capacity
- ..... 0.040" wall, thermoplastic.
- ..... on bead side of track.
- ..... identifies the neutral conductor
- ..... molded thermoplastic. Includes contacts for power supply leads.
- ..... molded thermoplastic.
- ..... connects track units mechanically and electrically.

Track units plug together and lock securely to prevent accidental separation. Track units can be field cut.

All painted finishes are baked enamel.

Track may be surface mounted to ceilings or walls. The track may be stem mounted. The track is not intended to be cable mounted. The track can also be recessed, see Specification Sheet 7515.

Two circuits individually controllable, rated 20 amps. at 120 volts 60 Hz per track circuit (40 amps total for the two circuits), when supplied by a 120/240 volt, 60-Hz, single phase 3-wire branch circuit with a grounded neutral. The track is polarized and continuously grounded throughout.

Electrical conductors are concealed in a insulating liner. Lytespan lighting units attach to the track at any point and can be adjusted to operate on either track circuit. Not intended for use with a power cord or a convenience receptacle adapter. Magnetic and electronic transformers require different dimmer controls. Use the proper control device on the track. Caution should be used when operating dimming controls on 3 wire circuiting (the neutral conductor may overload). For additional information on dimming, call 1-800-833-3664. All wiring must be in accordance with National and Local Codes.

cUL, IBEW.



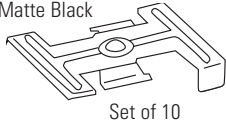
631 Airport Road, Fall River, MA 02720 • (508) 679-8131 • Fax (508) 674-4710  
 We reserve the right to change details of design, materials and finish.  
 www.lightolier.com © 2009 Philips Group • G0309

### Track Mounting Clips

Recommended: 2 clips per 2' & 4' track, 3 clips per 8' and 12' track units, order separately. Attaches to track at any point. Clip is nylon coated. Spaces track 1/16" from ceiling.

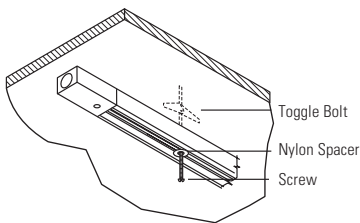
*Not recommended for wall mounting.*

- 56451WH** Matte White
- 56451BK** Matte Black



### Direct Mounting

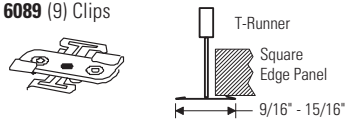
Toggle bolts and nylon insulators are furnished with Track, two per 2' and 4' track, three per 8' and 12' track. Mount through existing holes in track. Top of track sits flush to mounting surface. *Recommended for wall and ceiling mounting.*



### Grid Ceiling Mounting Clips

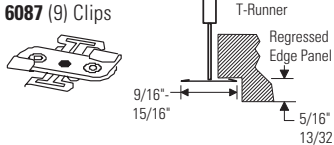
Square Edge Panels and 9/16"- 15/16" T-Bars Clip is supplied assembled. Mounts onto T-Bars by rotating clips. Use two per 2' and 4' track, three per 8', and four per 12' track.

**6089** (9) Clips



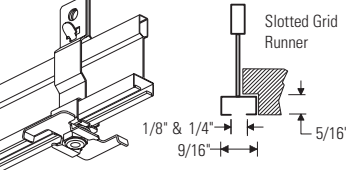
Regressed Edge Panels and 9/16" - 15/16" T-Bar Clip is supplied assembled. Mounts easily onto T-Bars by rotating clips. Use two per 2' and 4' track, three per 8', and four per 12' track.

**6087** (9) Clips



Slotted Grid Ceilings such as Donn Finline and Chicago Metallic Ultralite 3500 and 3600. Use two per 2' and 4' track, three per 8', and four per 12' track.

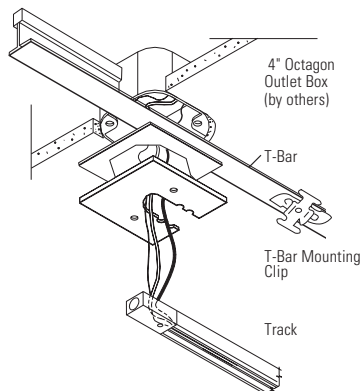
**6088** (9) Clips



### Grid Ceiling Canopy Kit

Mounts to a 4" or 3" octagonal outlet box. Use two per 2' or 4' track, three per 8' and 12' track. When making a run of track don't exceed 4' between stems. Includes a special outlet box to fit onto runners. Power can be fed to Feed Track, Live End, "L", "T", "X", and In-Line connectors. Mounts along runner or at the intersection of runners.

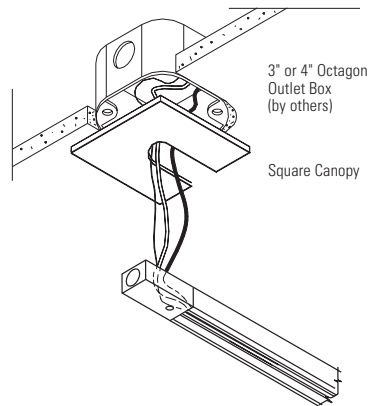
- 6096WH** Matte White
- 6096BK** Matte Black



### End Feed Canopy Kit

Mounts directly Live End, 'L', 'T', 'X', In-Line and Variable Angle Connectors. Mounts to a 4" or 3" octagonal outlet box. For track installed with mounting clips or direct mounted. Canopy is 3/32" thick and 4-1/2" square.

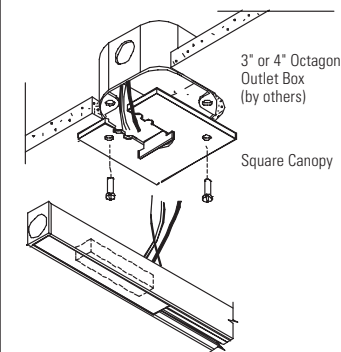
- 6060WH** Matte White
- 6060BK** Matte Black
- 6060NAL** Matte Aluminum



### Floating Canopy Kit

Mounts to a 4" or 3" octagonal outlet box. Canopy is positioned anywhere along track, up to 4' from edge of track extrusion. Power can be fed to Live End, 'L', 'T', 'X', In-Line and Variable Angle Connectors. Mount track using track mounting clips. Canopy is 3/32" thick and 4-1/2" square.

- 6061WH** Matte White
- 6061BK** Matte Black
- 6061NAL** Matte Aluminum



### Stem Mounting Kits

Mounts to a 4" or 3" octagon outlet box. Use two per 2' and 4' track, three per 8' and 12' track. When making a run of track do not exceed 4' between stems. Use additional stems for additional support. Power is fed to the track with the stem closest to the track feed-in point. For power feed to Feed Track and Live End, "L", "T", "X", In-line, and Variable Angle Connectors. Stem can be field cut.

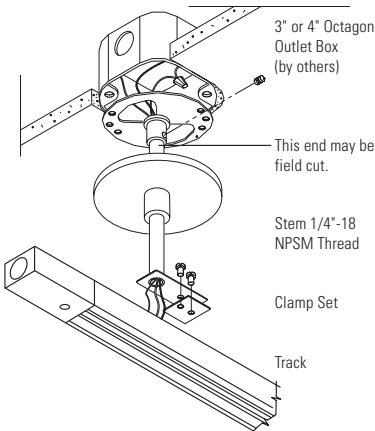
*Not recommended for wall mounting.*

Stem mounts to track 18" Stem 48" Stem not feed connector.

Actual length from ceiling to top of track:

17 3/8"	47 3/8"
---------	---------

Matte White	<b>7584</b>	<b>7586</b>
Matte Black	<b>7683</b>	<b>7681</b>
Matte Aluminum	<b>7584AL</b>	<b>7681AL</b>

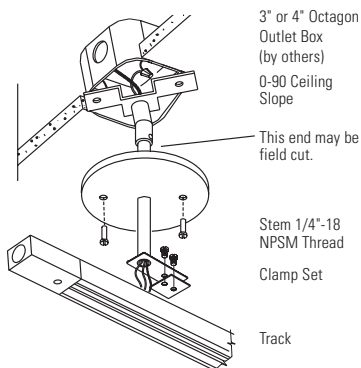


### Swivel Stem Mounting Kits

Adjusts from 0 to 90°. Mounts to a 4" or 3" octagon outlet box. Use two per 2' and 4' track, three per 8' and 12' track. When making a run of track do not exceed 4' between stems. Use additional stems for additional support. Power is fed to the track with the stem closest to the track feed-in point. For power feed to Feed Track and Live End, "L", "T", "X", In-line, and Variable Angle Connectors. Can be field cut. 48" stem. *Not recommended for wall mounting.*

Stem mounts to track not feed connector.

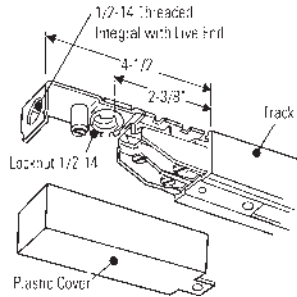
<b>7480</b>	Matte White
<b>7481</b>	Matte Black
<b>7480AL</b>	Matte Aluminum



### Live End

Energizes Track from the beginning of a run. It is included with Individual Track Units. Use with plain track units.

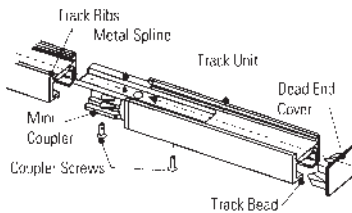
<b>6148NWH</b>	Matte White
<b>6148NBK</b>	Matte Black
<b>6148NAL</b>	Matte Aluminum



### Mini-Coupler

Used to connect two pieces of track together mechanically and electrically. *Power cannot be fed to the Mini-Coupler.* It is included with Joiner Track Units.

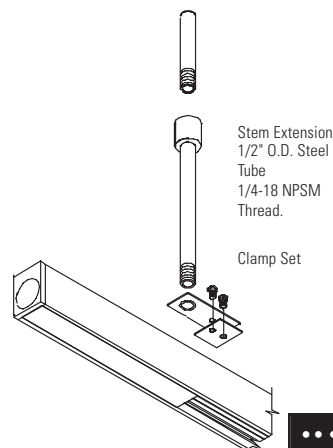
<b>6149NWH</b>	Matte White
<b>6149NBK</b>	Matte Black
<b>6149NAL</b>	Matte Aluminum



### Stem Extension Kit

Mounts to any stem kit to extend its length by 48". *Cannot be field cut.*

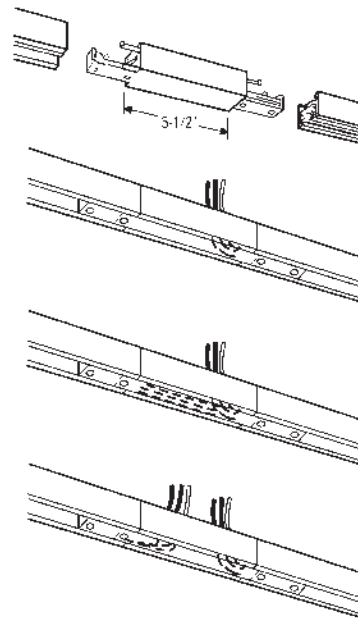
<b>7582</b>	Matte White
<b>7680</b>	Matte Black
<b>7582AL</b>	Matte Aluminum



### In-Line Connector

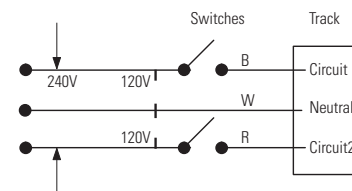
Permits power feed between track units in a straight run of track. The In-Line Connector is polarized and pre-wired. KO permits direct feed with electrical connector.

<b>6154NWH</b>	Matte White
<b>6154NBK</b>	Matte Black
<b>6154NAL</b>	Matte Aluminum

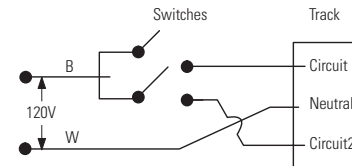


### Wiring Diagram

(3) wire two circuit 120/240, 60Hz single phase with grounded neutral. Maximum load, 2400W (incand.) 20 amp per track circuit, 4800W 40 amps total.



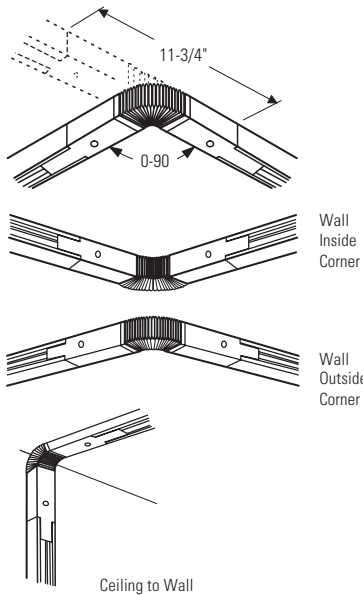
120V 60Hz single branch circuit, 20 amp supply. Maximum load, 2400W (incand.) distributed between track circuits.



### Variable Angle Connector

The Variable Angle Connector is pre-wired and polarized. It contains a nut with a thread 1/2"-14 to accept a 3/8" (trade sized) electrical connector. Flexes in all directions.

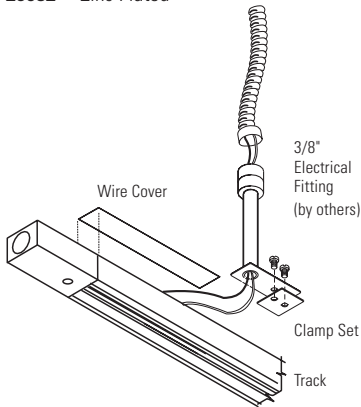
- 6153NWH** Matte White
- 6153NBK** Matte Black
- 6153NAL** Matte Black



### Floating Invisible Feed

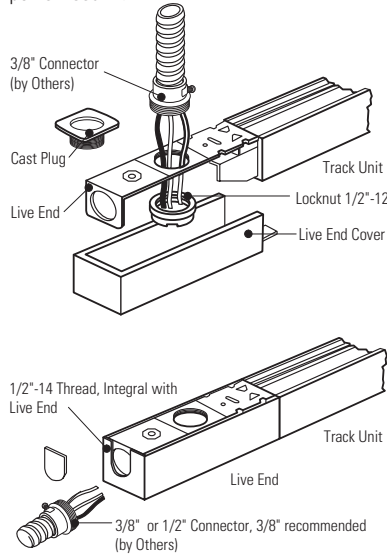
Can be mounted anywhere along the track at a maximum distance of 4' from edge of track extrusion. Accepts conduit or cable with 3/8" or 1/2" electrical connector (by others). Can be used with Live End, "L", "T", "X", and In-Line and Variable Angle connectors. Use Track Mounting Clips to mount the track.

- 26082** Zinc Plated



### Direct Feed into Connectors

The Live End, "L", "T", "X", In-line, and Variable Angle Connectors contain a nut with a 1/2"-14 thread to accept a 3/8" or 1/2" (trade size) electrical connector, 3/8" connector recommended. Does not require a separate power feed kit.

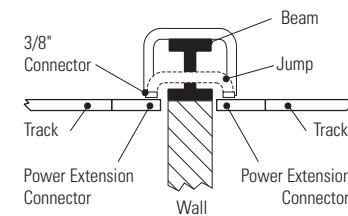


### Power Extension Connector

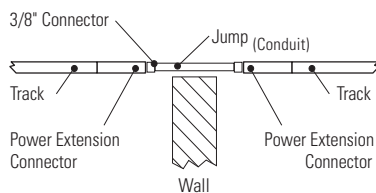
Replaces Dead End Cover at end of track to permit power continuity around structural obstacles to another track section. Accepts same power feed-in kits as Live End.

- 6146NWH** Matte White
- 6146NBK** Matte Black
- 6146NAL** Matte Aluminum

#### Over Beam or Through Beam



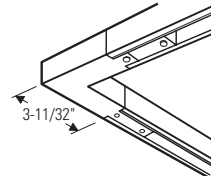
#### Through Wall or Column



### "L" Connector

The "L" connector is polarized and pre-wired. It may be rotated for right angle or left angle turn. KO permits direct feed with electrical connector.

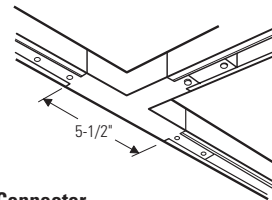
- 6150NWH** Matte White
- 6150NBK** Matte Black
- 6150NAL** Matte Aluminum



### "T" Connector

The "T" connector is not pre-wired or polarized. Used to make "T" pattern with track. 12 ga. copper jumper wires supplied to make all necessary connections. KO permits direct feed with electrical connector.

- 6151NWH** Matte White
- 6151NBK** Matte Black
- 6151NAL** Matte Aluminum



### "X" Connector

The "X" connector is not pre-wired or polarized. Used to make "X" pattern with track. 12ga. copper jumper wires supplied to make all necessary connections. KO permits direct feed with electrical connector.

- 6152NWH** Matte White
- 6152NBK** Matte Black
- 6152NAL** Matte Aluminum

