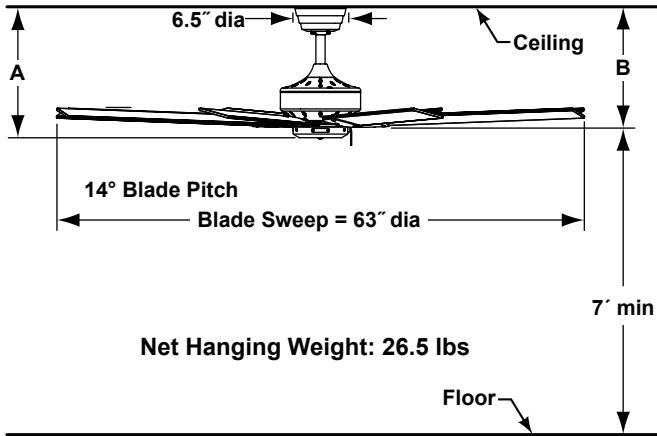


LEVON™

FP7910
Ceiling Fan**



	A	B
Fan w/6" downrod	14.50"	12.00"
Fan w/12" downrod	20.50"	18.00"
Fan w/18" downrod	26.50"	24.00"
Fan w/24" downrod	32.50"	30.00"
Fan w/36" downrod	44.50"	42.00"
Fan w/48" downrod	56.50"	54.00"
Fan w/60" downrod	68.50"	66.00"
Fan w/72" downrod	80.50"	78.00"

Available Finishes		
Fan / Housing Assembly		Blade
BL	Black	Black
BN	Brushed Nickel	Cherry/Walnut
MW	Matte White	Matte White
OB	Oil-rubbed Bronze	Walnut

INSTALLATION REQUIREMENTS:

Fan must be attached to a securely anchored electrical junction box capable of withstanding a load of at least 35 lbs.

ELECTRICAL REQUIREMENTS:

Requires a grounded electrical supply line of 120 volts AC, 60 Hz, 15 amp circuit.

MOTOR SPECS:

188 x 25 AC motor is designed for optimal performance with this fan.

BLADES:

A set of eight reversible wood blades is included.

CONTROL OPTIONS:

Optional CW1, CW1SW, CW2, CW5, CWRL4 and CW60WH wall controls are available—sold separately. Optional BTCR9, C4, CRL4WH and CRL8TS remote controls with receiver unit and BTR9 receiver unit are available—sold separately. Instructions are provided with each control.

LIGHTING OPTIONS:

Optional lighting fitters and light kits are available. See our catalog or visit www.fanimation.com for available lighting options.

DOWNROD OPTIONS:

Fan comes with a 1" dia. x 6" long downrod (DR1-6). Optional downrods are available in 12", 18", 24", 36", 48", 60" and 72" lengths. A downrod coupler is available for installations requiring a downrod longer than 72". The fan can be mounted on a sloped ceiling up to 27°. Optional sloped ceiling ball kits (SCB1-52) are available for slope angles greater than 27° and up to 42°. Optional close-to-ceiling kit is available as well—sold separately. Call technical support for more information.

LOCATION USE:

Fan is rated for dry locations only.

Airflow / Energy Efficiency Info (120V)					
Fan Speed	Max RPM	CFM	CFM / Watts	Amps	Watts
High	113	6942	107	0.54	65
Med	76	4480	145	0.38	31
Low	53	3197	200	0.26	16

Energy Guide FTC			
Power (W _{ave})	Total Air Delivery (CFM _{ave})	Estimated Yearly Energy Cost (\$)	Ceiling Fan Efficiency (CFM/W)
42	4273	12	102