



Catalog Number: 181810-SC1  
Item Description: N1 SCREW COVER ENCL  
UPC Code: 784572102941

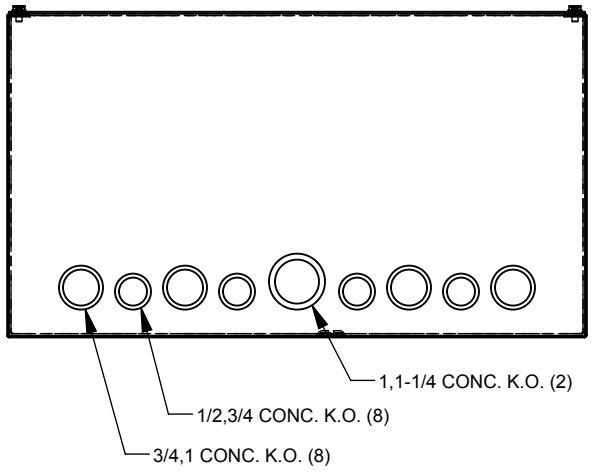
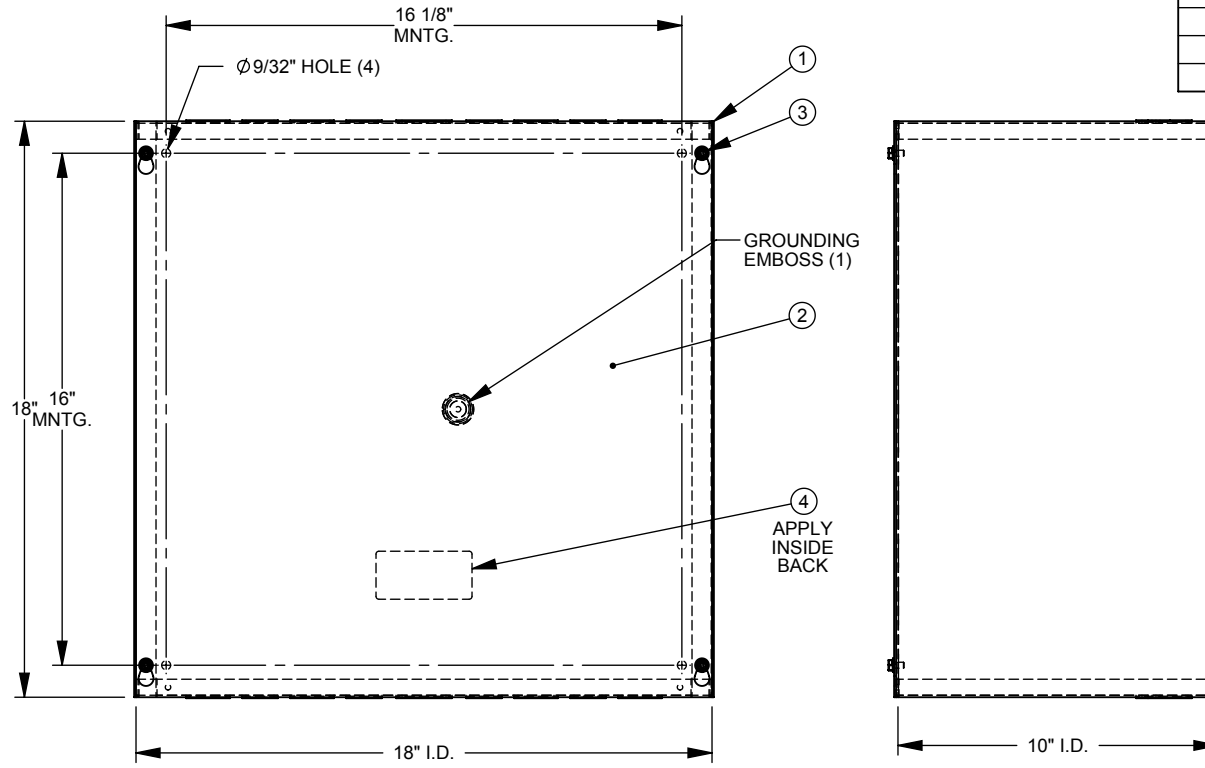
Brand Name: Milbank  
Type: Screw Cover  
Special Features: Cover Secured with Plated Screws  
Application: Enclosure for Mounting Electrical Equipment  
Standard: UL Listed  
Number Of Outlet: 0  
Material: Steel with Powder Coat Finish  
Color: ANSI 61 Gray  
Mounting: Wall Mount  
NEMA Rating: Type 1



*Utility requirements may vary. Always consult the serving utility for their requirements prior to ordering or installing this equipment. This product must always be installed by a licensed electrician. Installation of this equipment may require local electrical inspector approval.*

CATALOG NO.	LABEL NO.
181810-SC1-( )	1002135
RC-181810-SC1-( )	1125021
SPSC-181810( )	1132714

ITEM	QTY.	PART NUMBER	DESCRIPTION
1	1	(SEE CHART)	BACK WELDMENT
2	1	(SEE CHART)	COVER PLATE
3	4	1001290	SCREW, 10-32 X 5/16
4	1	(SEE CHART)	LABEL (UL)
5	1	1002475	BAG ASSY (GROUND SCREW)
6	1	1011635	CARTON (NOT SHOWN)


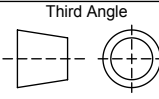


NOTES:

1.) BAG ASSY TO BE SHIPPED INSIDE OF ENCLOSURE.

SUFFIX	FINISH	WELDMENT NO.	PLATE NO.	INSTALL KOs
NONE	MILBANK LIGHT GRAY	1162316	1154419	YES
-NP	NONE	1162318	1003271	
-NK	MILBANK LIGHT GRAY	1162317	1154419	NO
-NK-NP	NONE	1162319	1003271	

REV.	DATE	DESCRIPTION	BY
C4	12/13/12	CHART VERSIONS (ECO #23290)	D.F.

Material:	16 GA. GALV. STEEL	 <p>General Offices: Kansas City, MO</p>										
Shear/ Die#:												
Finish:	SEE CHART											
Part Wt.:												
<p>Tolerances:</p> <table border="0"> <tr><td>Unless Specified Otherwise</td><td></td></tr> <tr><td>X.X</td><td>±.1</td></tr> <tr><td>X.XX</td><td>±.03</td></tr> <tr><td>X.XXX</td><td>±.015</td></tr> <tr><td>X*</td><td>±2*</td></tr> </table>		Unless Specified Otherwise		X.X	±.1	X.XX	±.03	X.XXX	±.015	X*	±2*	<p>Third Angle</p> 
Unless Specified Otherwise												
X.X	±.1											
X.XX	±.03											
X.XXX	±.015											
X*	±2*											
Title:	SCREW COVER 18x18x10 TYPE 1 ENCLOSURE	Catalog No.:	SEE CHART									
Customer:	MILBANK STANDARD	Drawing No.:	1003648									
Scale:	NTS	Checked By:										
Drawn By:	D.F.	Approved By:										
Date:	12/13/12	Sheet	1 of 1									