



U4701-XL-BLG-PSEG
200A 7T RL HD LVR OU
784572238251

Brand Name: Milbank

Type: Ringless Meter Socket

Special Features: Public Service Electric and Gas New Jersey

Application: Meter Socket

Standard: UL Listed

Voltage Rating: 600 Volts Alternating Current

Amperage Rating: 200 Continuous Ampere

Phase: 3 Phase

Frequency Rating: 60 Hertz

Size: 4.844H x 13W x 19H

Number Of Cutouts: 0

Cutout Size: No Main Breaker

Cable Entry: Overhead and Underground

Terminal: Lay in Line Side and Lay in Load Side

Insulation: Glass Polyester

Mounting: Surface Mount

Enclosure: Type 3R, G90 Galvanized Steel with Powder Coat Finish

Jaw Quantity: 7 Terminal

Bypass Type: Lever Bypass

Number of Metered Positions: 1 Position

Equipment Ground: Grounding Stud

Hub Opening: Small Closing Plate

Line Side Wire Range: 6 AWG - 350 kcmil

Load Side Wire Range: 6 AWG - 350 kcmil



Utility requirements may vary. Always consult the serving utility for their requirements prior to ordering or installing this equipment. This product must always be installed by a licensed electrician. Installation of this equipment may require local electrical inspector approval.

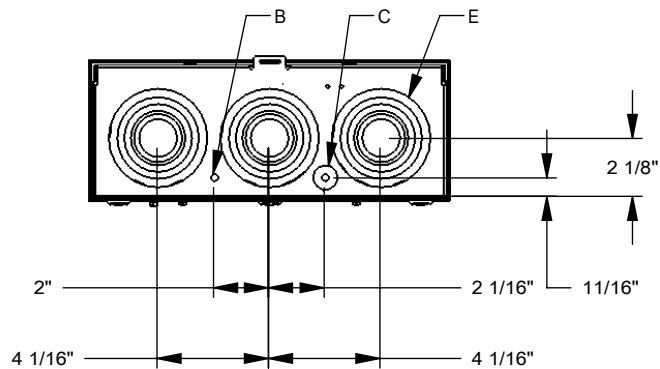
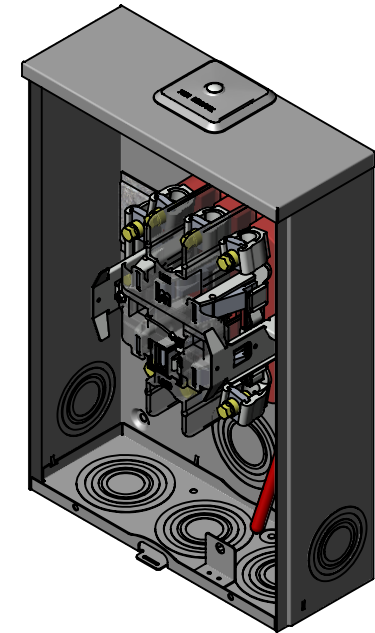
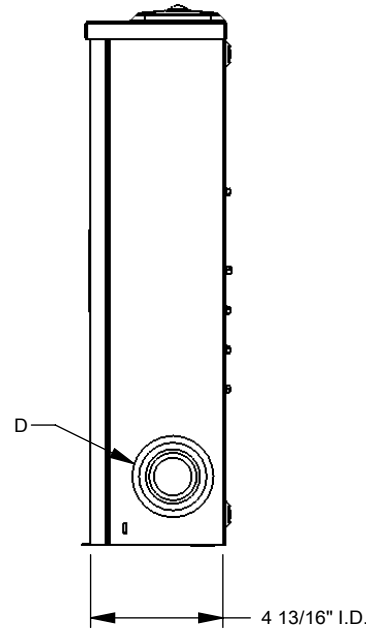
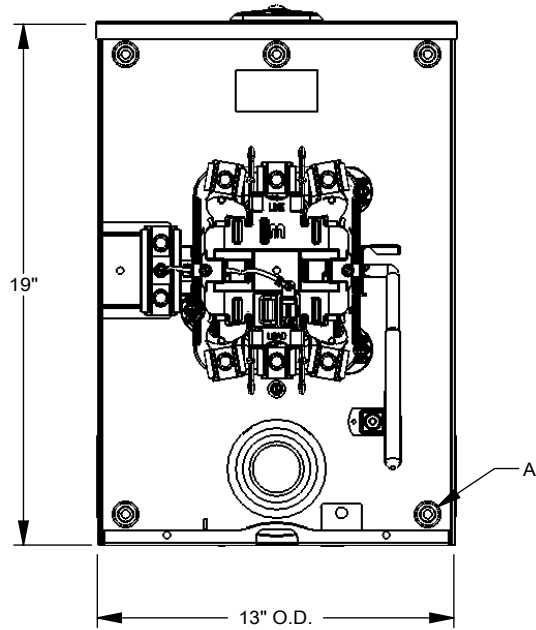


U4701-XL-BLG-PSEG
200A 7T RL HD LVR OU
784572238251

Number Receptacles: 0

Utility requirements may vary. Always consult the serving utility for their requirements prior to ordering or installing this equipment. This product must always be installed by a licensed electrician. Installation of this equipment may require local electrical inspector approval.

FEATURE TABLE		
ITEM	QTY	DESCRIPTION
A	5	U/L MNTG.EMBOSS
B	1	¼ SOLID K.O.
C	1	¼, ½ CONC. K.O.
D	2	1, 1¼, 1½, 2, 2½ CONC. K.O.
E	4	1¼, 1½, 2, 2½, 3 CONC. K.O.



Version:

1

All dimensions are +/- 1/16".
 Drawing views are not to scale.
 Utility requirements for this equipment may vary. Always consult the serving utility for their requirements prior to ordering or installing this equipment. This product must be installed by a licensed electrician. Installation of this equipment may require local electrical inspector approval.