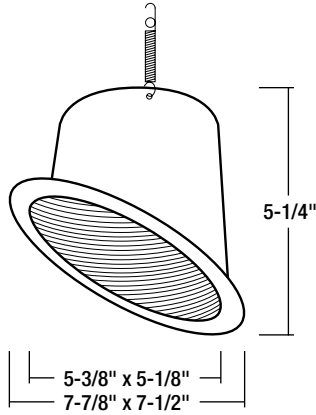


**NTP-614
Phenolic Stepped Baffle with White Flange**

Type
Project
Catalog No.
Lamp/Wattage

TRIM DIMENSIONS



Trim OD: 7-7/8" x 7-1/2"
Aperture: 5-3/8" x 5-1/8"
Height: 5-1/4"

FEATURES

Trim
Precision spun 0.040 plastic with deep grooves to reduce aperture glare and white flange. Non-reflective painted finishes.

Mounting
Trim includes two coil springs that clip and securely hold the trim into the housing when installed. Replacement coil springs are available (NRA-22).

Compatible Housings
Compatible with Sloped Line Voltage and Sloped Compact Fluorescent housings. See individual specification sheets for more information.

Lamp
Line Voltage
75W BR30/PAR30 Maximum (NHIC-926QAT; NHRIC-926QAT)
100W BR40/PAR38 Maximum (NHIC-926/DWQAT)
150W BR40/PAR38 Maximum (NH-926Q; NHR-926Q)
Compact Fluorescent
(1) 13W-32W Quad/Triple Tube (NHP-926 Series; NHPIC-926 Series; NHRP-926 Series; NHRPIC-926 Series)

Labels and Listings
cULus Listed for Damp Location when used with compatible housing

Phenolic Stepped Baffle with White Flange

NTP-614B: Black Phenolic Stepped Baffle with White Flange
NTP-614W: White Phenolic Stepped Baffle with White Flange

Compatible Sloped Housings

LINE VOLTAGE		
Item Number	Installation Type	Lamp
NH-926Q	Non-IC Sloped New Construction	150W BR40/PAR38 Max.
NHIC-926QAT	IC Air-Tight Sloped New Construction	75W BR30/PAR30 Max.
NHIC-926/DWQAT	IC Double Wall Air-Tight New Construction	100W BR40/PAR38 Max.
NHR-926Q	Non-IC Sloped Remodel Housing	150W BR40/PAR38 Max.
NHRIC-926QAT	IC Air-Tight Sloped Remodel Housing	75W BR30/PAR30 Max.
COMPACT FLUORESCENT		
NHP-926/13EL	Non-IC Sloped New Construction	(1) 13W Quad/Triple Tube
NHP-926/18EL	Non-IC Sloped New Construction	(1) 18W Quad/Triple Tube
NHP-926/2642EL	Non-IC Sloped New Construction	(1) 26W-32W Quad/Triple
NHPIC-926/13EAT	IC Air-Tight Sloped New Construction	(1) 13W Quad/Triple Tube
NHPIC-926/18EAT	IC Air-Tight Sloped New Construction	(1) 18W Quad/Triple Tube
NHPIC-926/26EAT	IC Air-Tight Sloped New Construction	(1) 26W-Quad/Triple Tube
NHPIC-926/32EAT	IC Double Wall Air-Tight New Construction	(1) 26W-32W Quad/Triple
NHRP-926/13EL	Non-IC Sloped Remodel Housing	(1) 13W Quad/Triple Tube
NHRP-926/18EL	Non-IC Sloped Remodel Housing	(1) 18W Quad/Triple Tube
NHRP-926/2642EL	Non-IC Sloped Remodel Housing	(1) 26W-32W Quad/Triple
NHRPIC-92613EAT	IC Air-Tight Sloped Remodel Housing	(1) 13W Quad/Triple Tube
NHRPIC-92618EAT	IC Air-Tight Sloped Remodel Housing	(1) 18W Quad/Triple Tube
NHRPIC-92626EAT	IC Air-Tight Sloped Remodel Housing	(1) 26W Quad/Triple Tube