



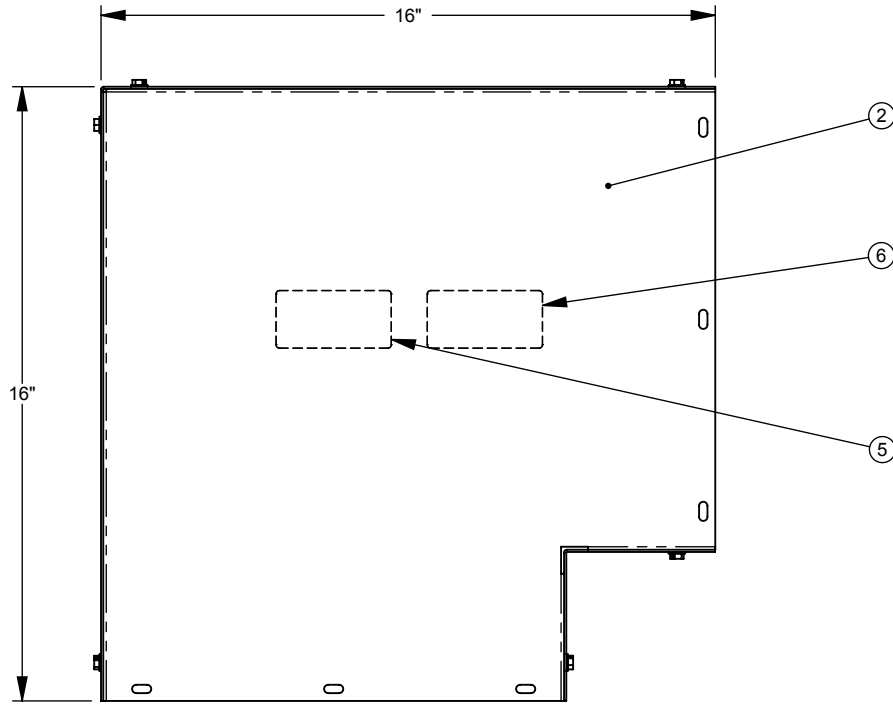
Catalog Number: 1212L90C-NP
Item Description: WIREWAY ACCESSORY
UPC Code: 784572155183

Brand Name: Milbank
Type: Wireway Elbow
Application: Wireway Accessory
Standard: UL Listed, Type 1
Cover Type: Screw Cover
Enclosure: Indoor Enclosure
Nominal Cross Section: 12x12
Material: Steel with Powder Coat Finish
Finish: Unpainted
Knockouts: False



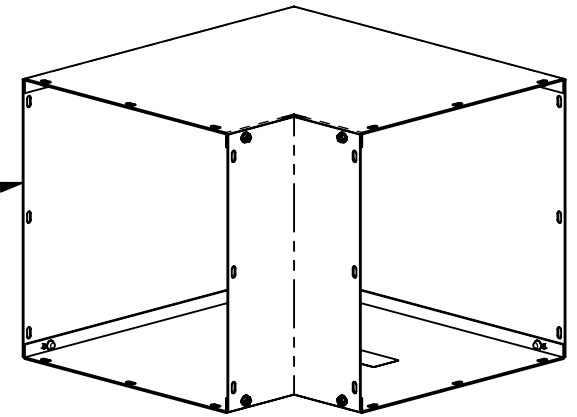
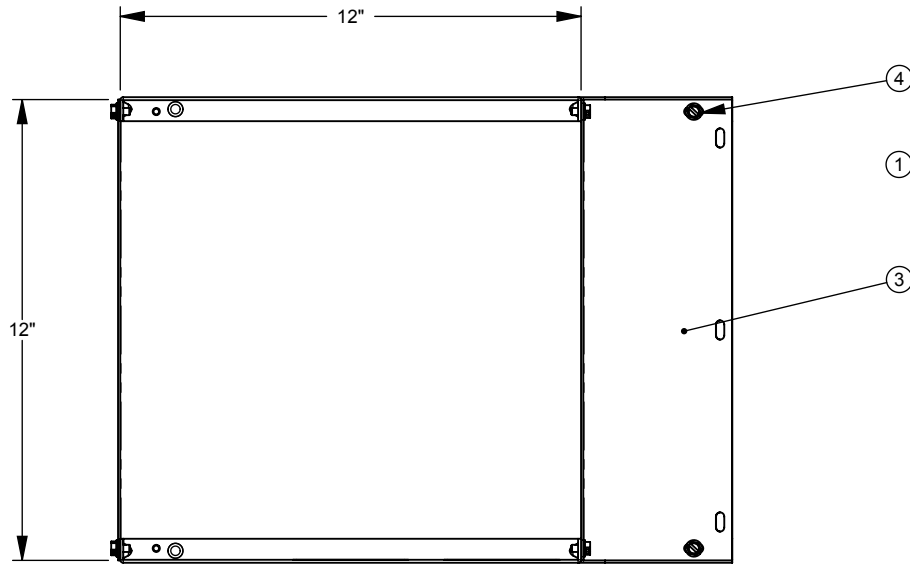
Utility requirements may vary. Always consult the serving utility for their requirements prior to ordering or installing this equipment. This product must always be installed by a licensed electrician. Installation of this equipment may require local electrical inspector approval.

PREFIX	LABEL NO.
NONE	1002943
RC-	1125051




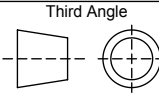
ITEM	QTY.	PART NUMBER	DESCRIPTION
1	1	(SEE CHART)	PLATE (OUT)
2	2	(SEE CHART)	SIDE
3	1	(SEE CHART)	PLATE (IN)
4	12	1001290	SCREW, 10-32 X 5/16
5	1	1002923	LABEL, RATING
6	1	(SEE CHART)	UL LABEL, WIREWAY
7	1	1003380	CARTON (NOT SHOWN)

SUFFIX	FINISH	PLATE (OUT)	SIDE	PLATE (IN)
NONE	MILBANK LIGHT GRAY	1154633	1154634	1154632
-NP	NONE	1011954	1011956	1011952



NEMA DWG.: #538

REV.	DATE	DESCRIPTION	BY
A2	9/13/12	REDRAW INTO SOLIDWORKS (ECO #22920)	D.F.

Material:	16 GA. GALV. STEEL	 <p>General Offices: Kansas City, MO</p>			
Shear/ Die#:					
Finish:	SEE CHART	Title:	SCREW COVER WIREWAY 90° ELBOW		
Part Wt.:		Catalog No.:	1212L90C		
Tolerances: Unless Specified Otherwise X.X ±.1 X.XX ±.03 X.XXX ±.015 X" ±2"		 Third Angle	Customer:	MILBANK STANDARD	
Scale:	NTS	Checked By:		Drawing No.:	1001601
Drawn By:	D.F.	Approved By:		Date:	9/13/12
				Sheet	1 of 1